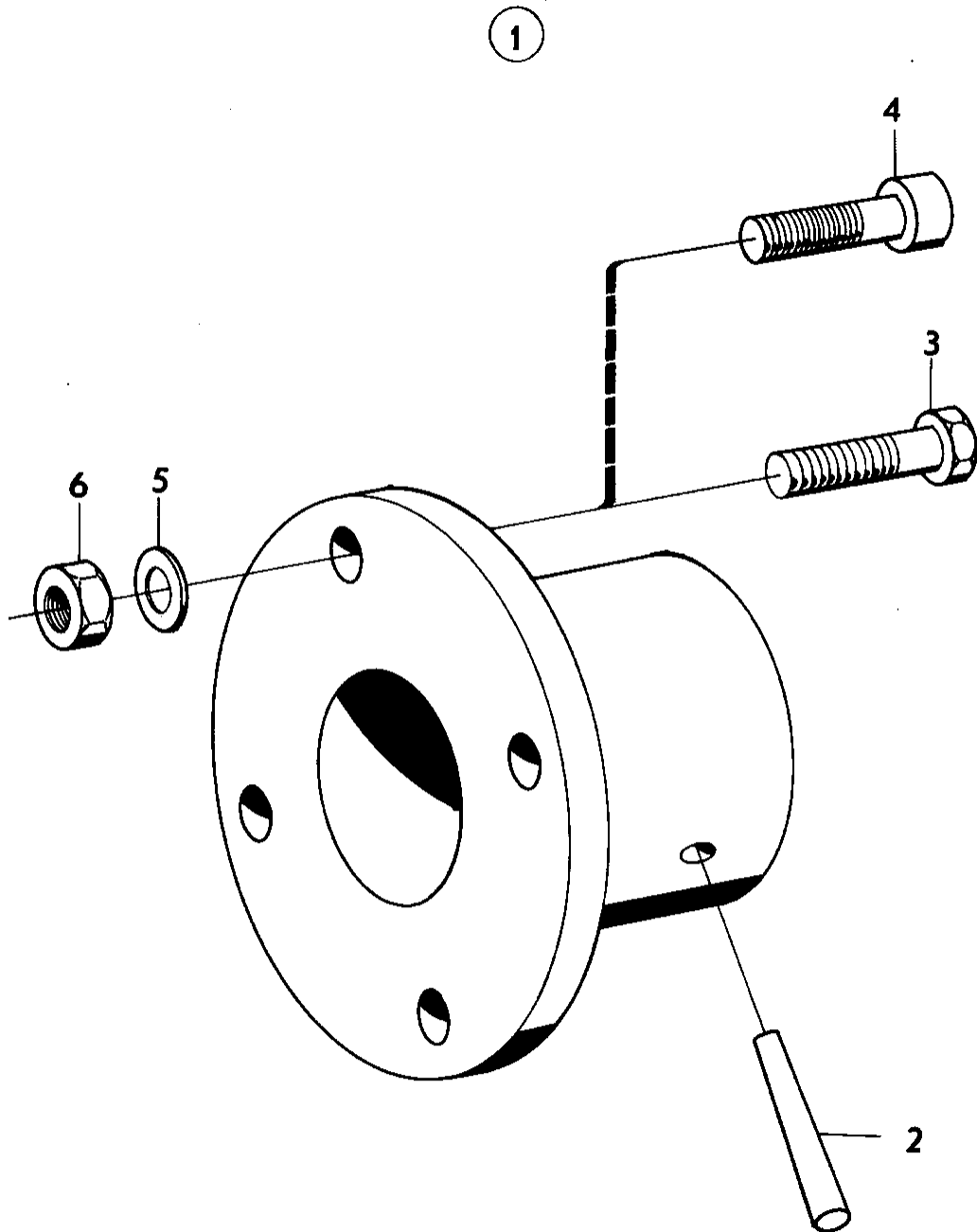


MD22P-B, TMD22-B, TAMD22P-B



3232

MD22P-B, TMD22-B, TAMD22P-B

REF	PART NO.	QTY	DESCRIPTION	NOTES
1		1	Companion flange	Only center drilled 15mm. max 30mm shaft.
2	907599	1	• Pin	
3	970949	4	• Screw	L=35mm (955319)
4	959239	4	• Screw	L=30mm
5	941908	4	• Spring washer	
6	971071	4	• Nut	(955783)