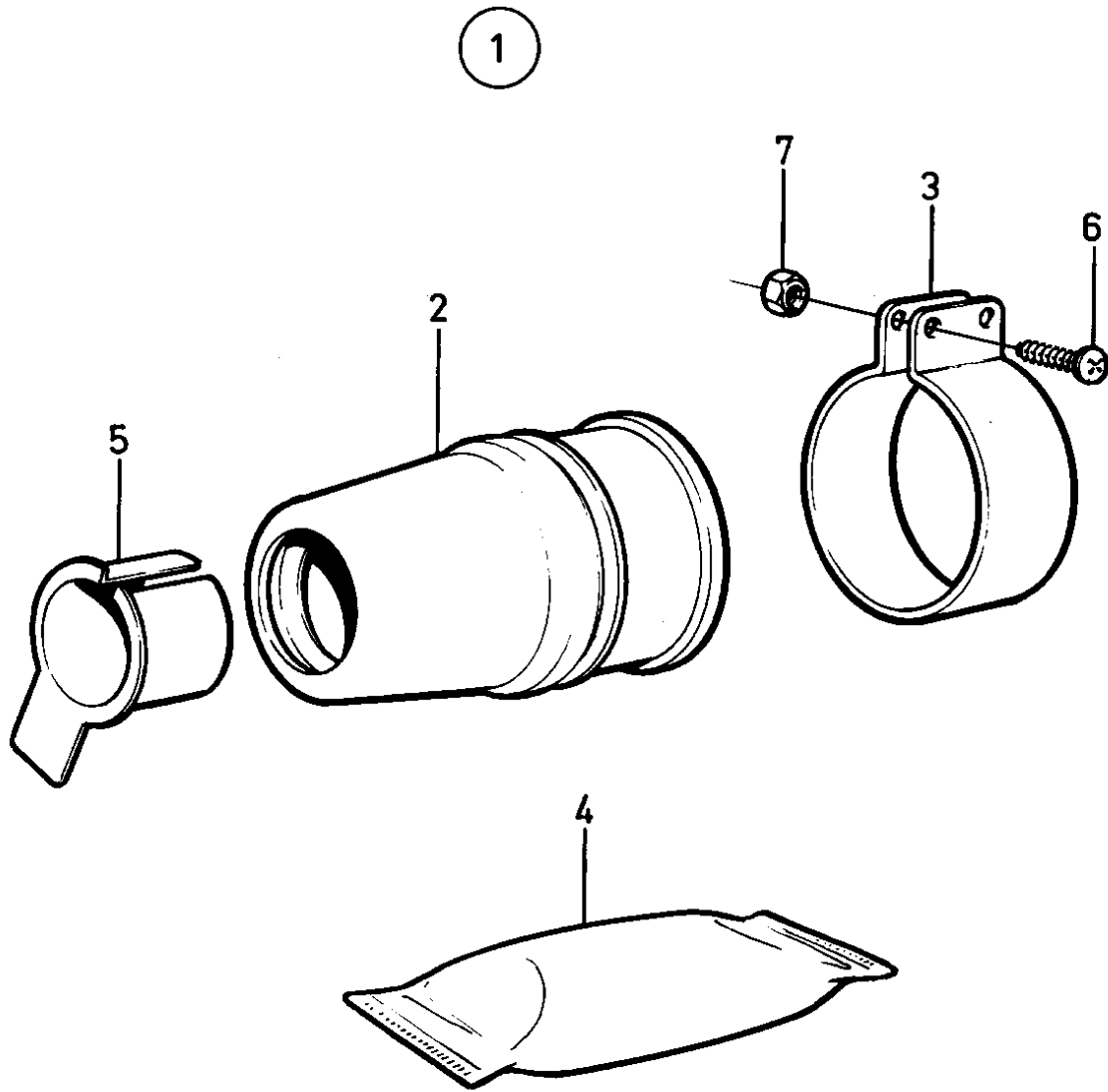


MD22P-B, TMD22-B, TAMD22P-B



6147

MD22P-B, TMD22-B, TAMD22P-B

REF	PART NO.	QTY	DESCRIPTION	SEE SEC.	NOTES
1	828422	1	Seal Bulletin P-44-6-1	P-44-6-1-EN	Rubber Stuffing Box
2		1	• Sealing strip		
3	828418	1	• Clamp		
4	828250	1	• Grease		
5		1	• Sleeve		
6	963684	2	• Screw		
7	966170	2	• Nut		