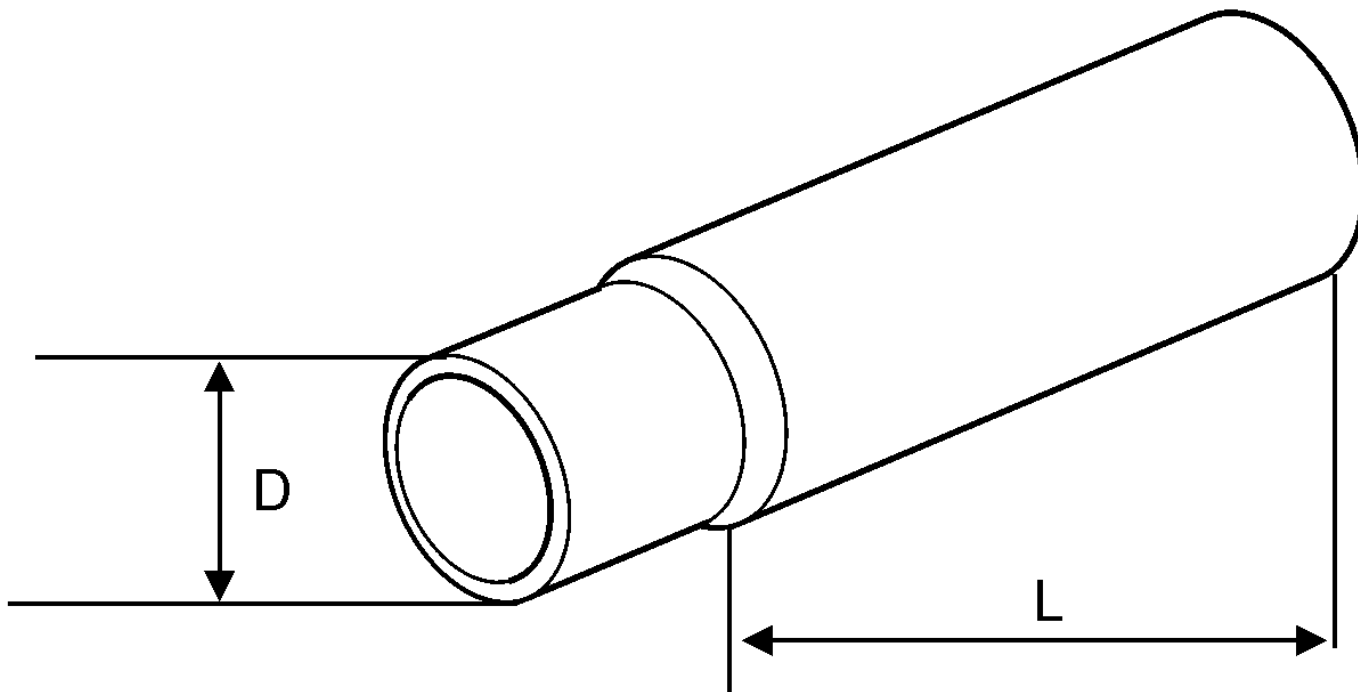


MD22P-B, TMD22-B, TAMD22P-B

1



8498

MD22P-B, TMD22-B, TAMD22P-B

REF	PART NO.	QTY	DESCRIPTION	NOTES
1	827894	1	Sleeve tube	L=0,5m
	827893	1	Sleeve tube	L=0,75m
	1140028	1	Sleeve	L=1,0m
	1140029	1	Sleeve tube	L=1,5m