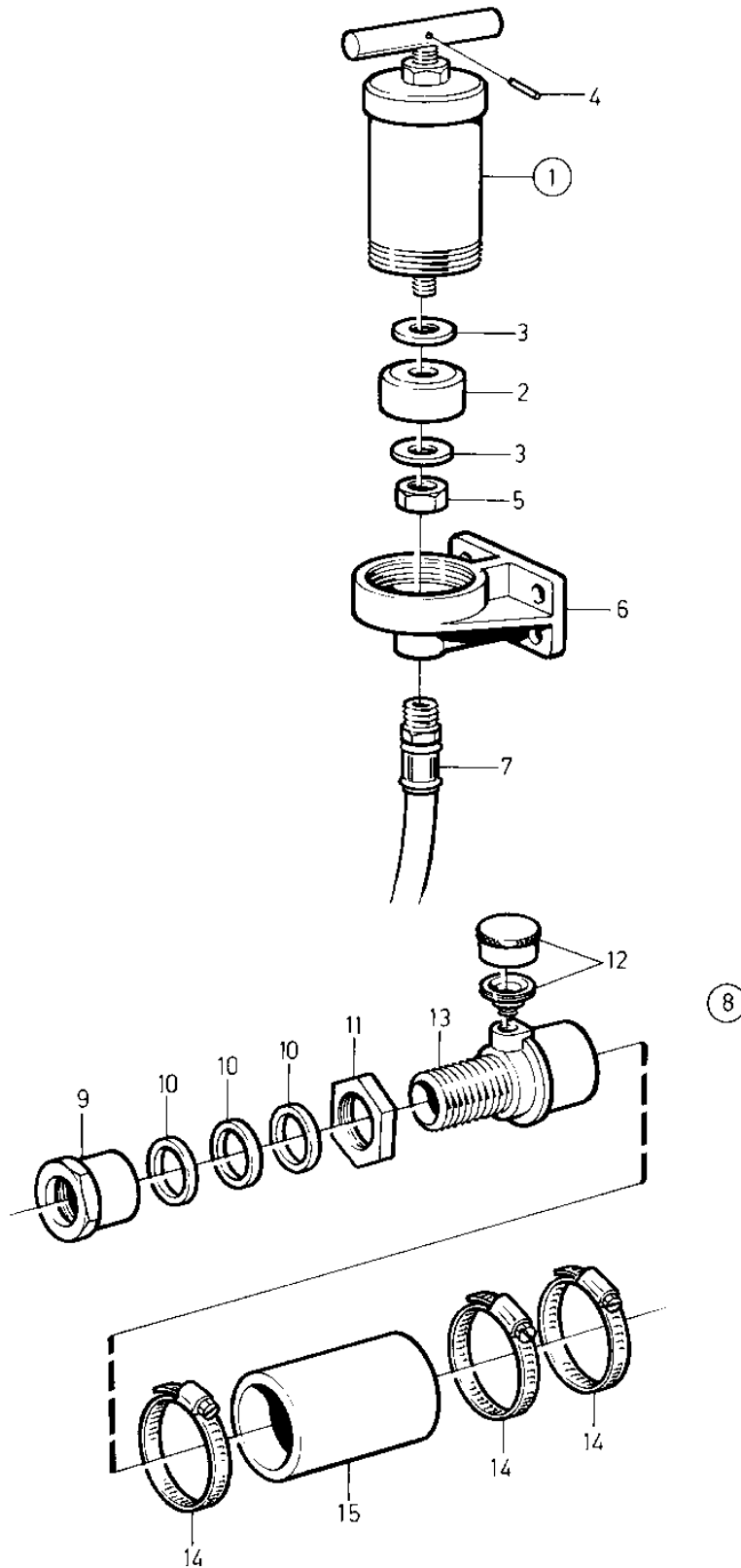


MD22P-B, TMD22-B, TAMD22P-B



MD22P-B, TMD22-B, TAMD22P-B

REF	PART NO.	QTY	DESCRIPTION	NOTES
1	827184	1	Grease press	
2	815579	1	· Leather cuff	
3	948087	2	· Washer	
4		1	· Pin	
5	950354	1	· Lock nut	
6		1	· Retainer	
7	833842	1	Hose	
8	859013	1	Stuffing box	D=30mm
9		1	· Nut	
10	859006	3	· Box gasket	
	859007	3	· Box gasket	
11		1	· Nut	
12	914138	1	· Grease cup	
13		1	· Stuffing box	
14	961674	3	· Clamp	
15	825673	X	· Hose	D=30mm