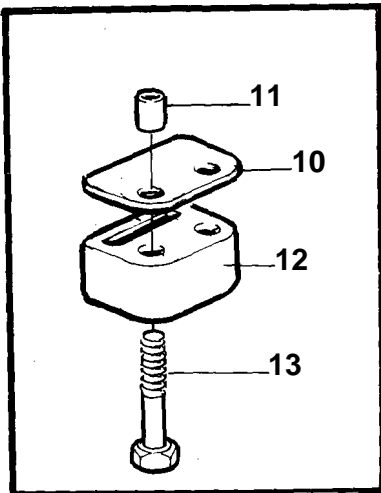
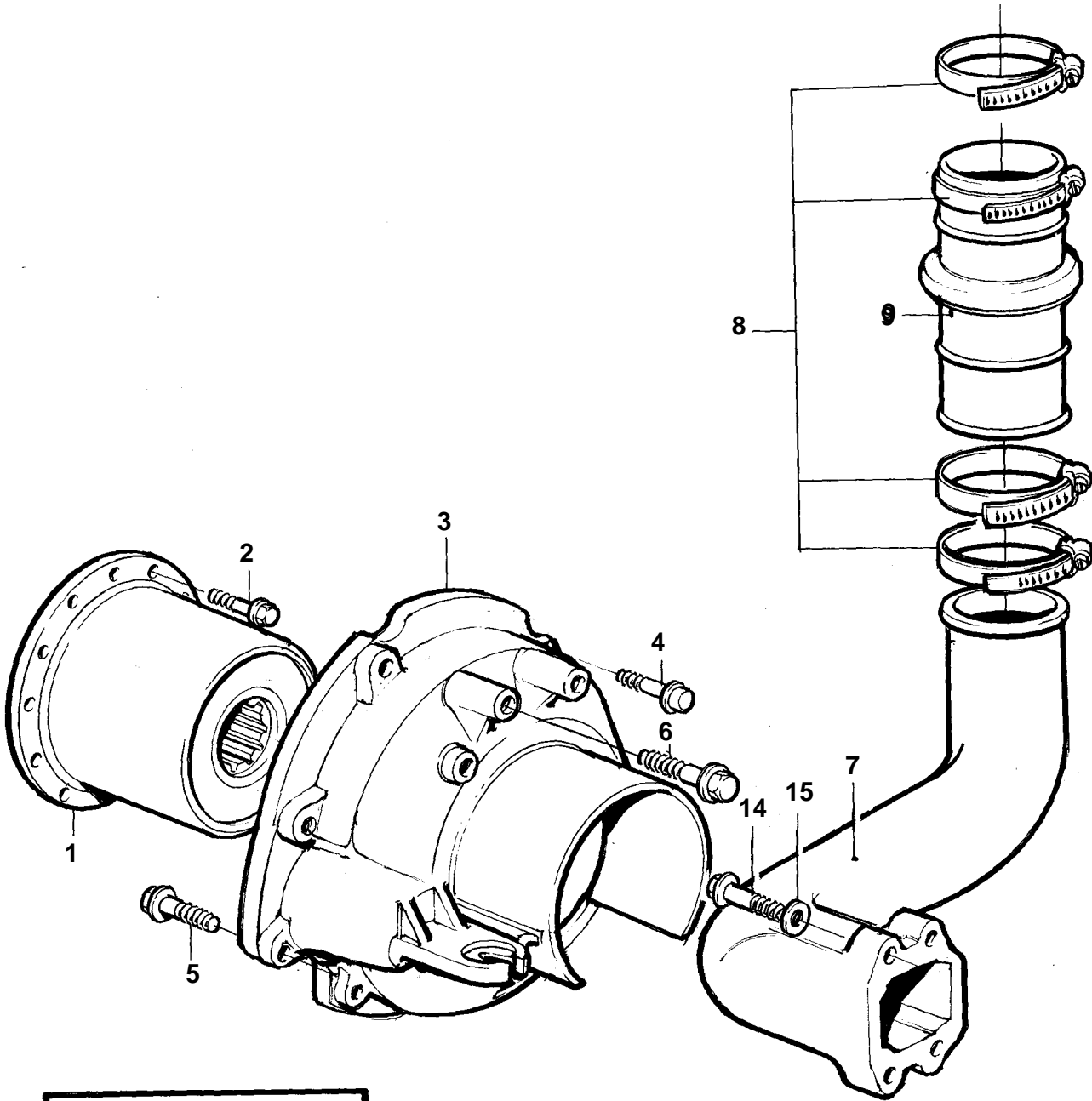


MD22P-B, TMD22-B, TAMD22P-B



16624

MD22P-B, TMD22-B, TAMD22P-B

| REF | PART NO. | QTY | DESCRIPTION | SEE SEC. | NOTES |
|-----|----------|-----|-------------------|-------------|---------------------|
| 1 | 3851964 | 1 | Vibration damper | | |
| 2 | 946671 | 9 | Flange screw | | |
| 3 | 3580831 | 1 | Flywheel housing | | |
| 4 | 946173 | 2 | Flange screw | | |
| 5 | 946472 | 8 | Screw | | |
| 6 | 945444 | 1 | Flange screw | | |
| 7 | 3580832 | 1 | Exhaust riser | | |
| 8 | 853012 | 4 | Hose clamp | | |
| 9 | 3852741 | 1 | Hose | | |
| 10 | | 1 | Gasket | | |
| 11 | 3851823 | 2 | Spacer | | |
| 12 | 3854130 | 1 | Zinc anod | | |
| | | | Bulletin P-44-1-1 | P-44-1-1-EN | Anodes, SX AND DP-S |
| 13 | 940172 | 2 | Screw | | |
| 14 | 955537 | 4 | Screw | | |
| 15 | 976945 | 4 | Washer | | (960148) |