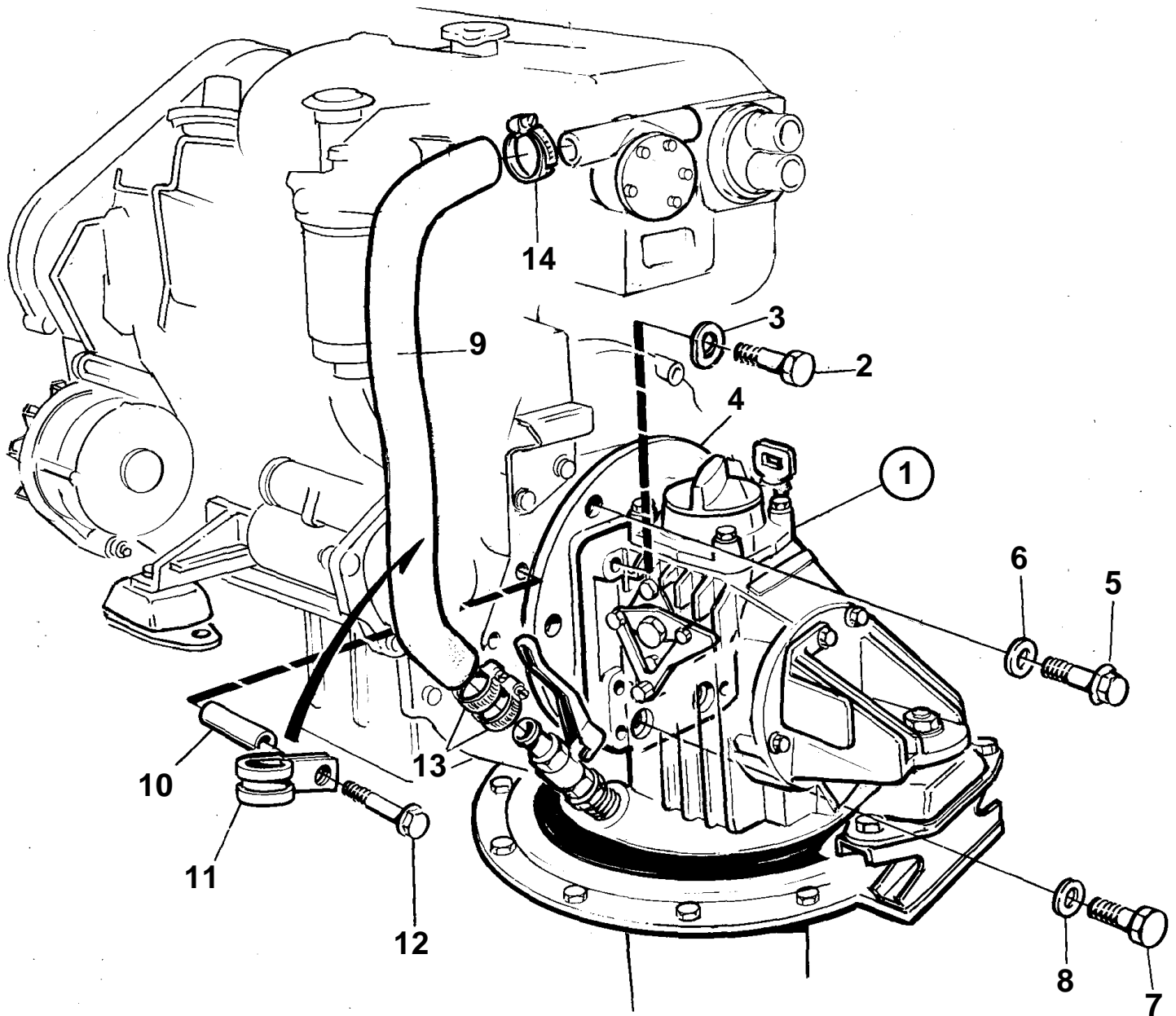


MD22L-B, MD22P-B



16621

MD22L-B, MD22P-B

REF	PART NO.	QTY	DESCRIPTION	NOTES
1		1	Drive	
2	965185	6	Flange screw	
3	976945	6	Washer	(960148)
4	859711	1	Adapter	
5	963580	4	Screw	
6	976945	4	Washer	(960148)
7	940134	2	Screw	(6646957)
8	955896	2	Washer	
9	3580856	1	Hose	
10	847690	1	Sleeve	
11	949850	1	Clamp	
12	965182	1	Flange screw	
13		2	Hose clamp	
14	961669	1	Hose clamp	