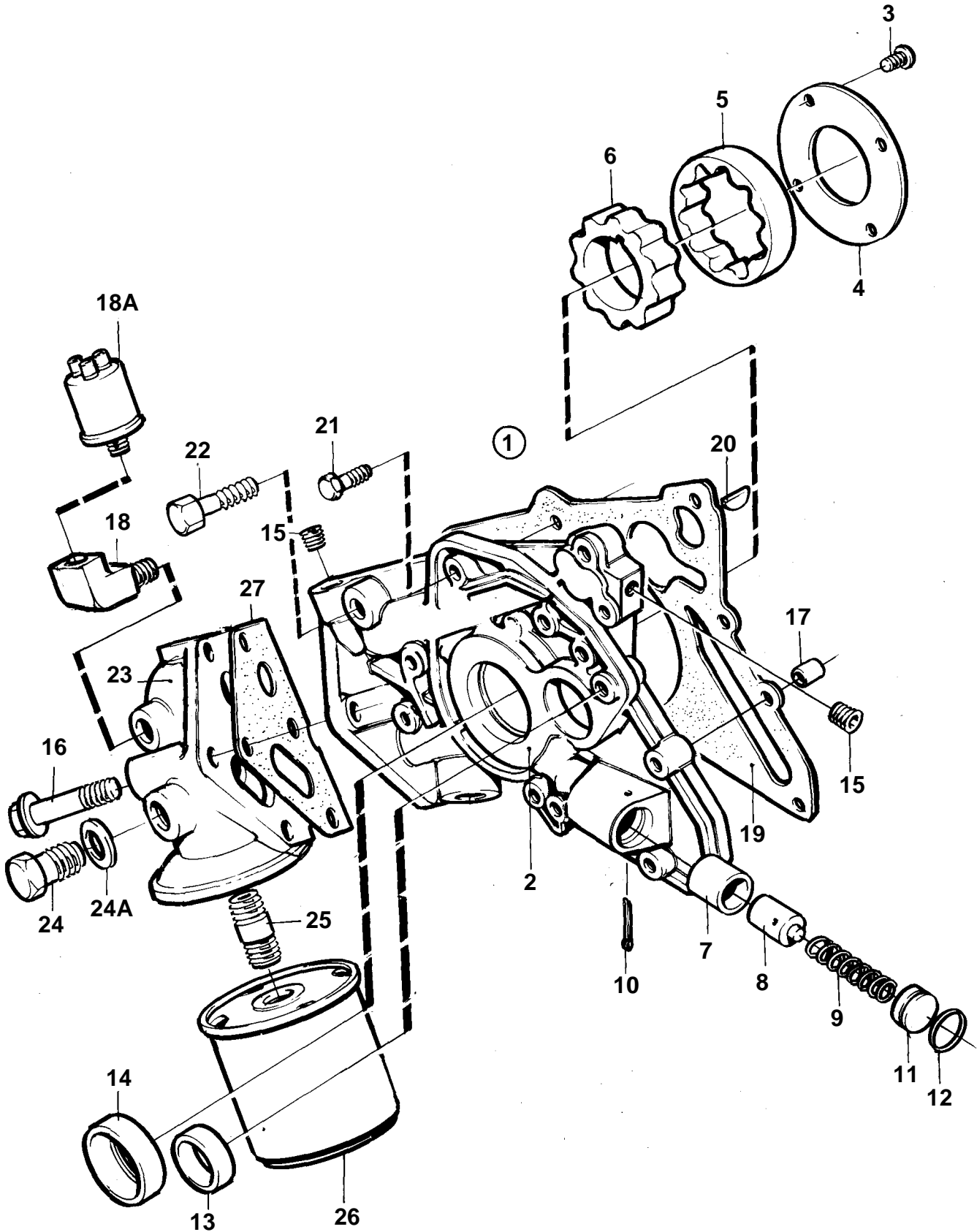


MD22L-B



16608

MD22L-B

REF	PART NO.	QTY	DESCRIPTION	NOTES
1	3581560	1	Oil pump	
2		1	• Oil pump housing	
3	859674	4	• Screw	
4	859683	1	• Plate	
5		1	• Gearouter	
6		1	• Gearinner	
7		1	• Sleeve	
8	859679	1	• Piston	
9	3581562	1	• Spring	
10	859681	1	• Cotter pin	
11	3581563	1	• Plug	
12	859685	1	• O-ring	
13		1	• Plug	
14	859684	1	• Sealing ring	
15		2	• Plug	
16	965217	4	Flange screw	L=65mm
17	859636	2	Guide pin	
18	16218	1	Elbow nipple	
18A		1	Oil pressure sensor	SEE GROUP 30
19	859671	1	Gasket	
20	859686	1	Key	
21	859687	7	Screw	L=32mm
	859688	1	Screw	L=25mm
22	965185	1	Flange screw	
23	3580833	1	Oil filter housing	
24		1	Plug	
24A	957185	1	Gasket	
25	3580942	1	Nipple	
26	3517857	1	Oil filter	
27	859747	1	Gasket	