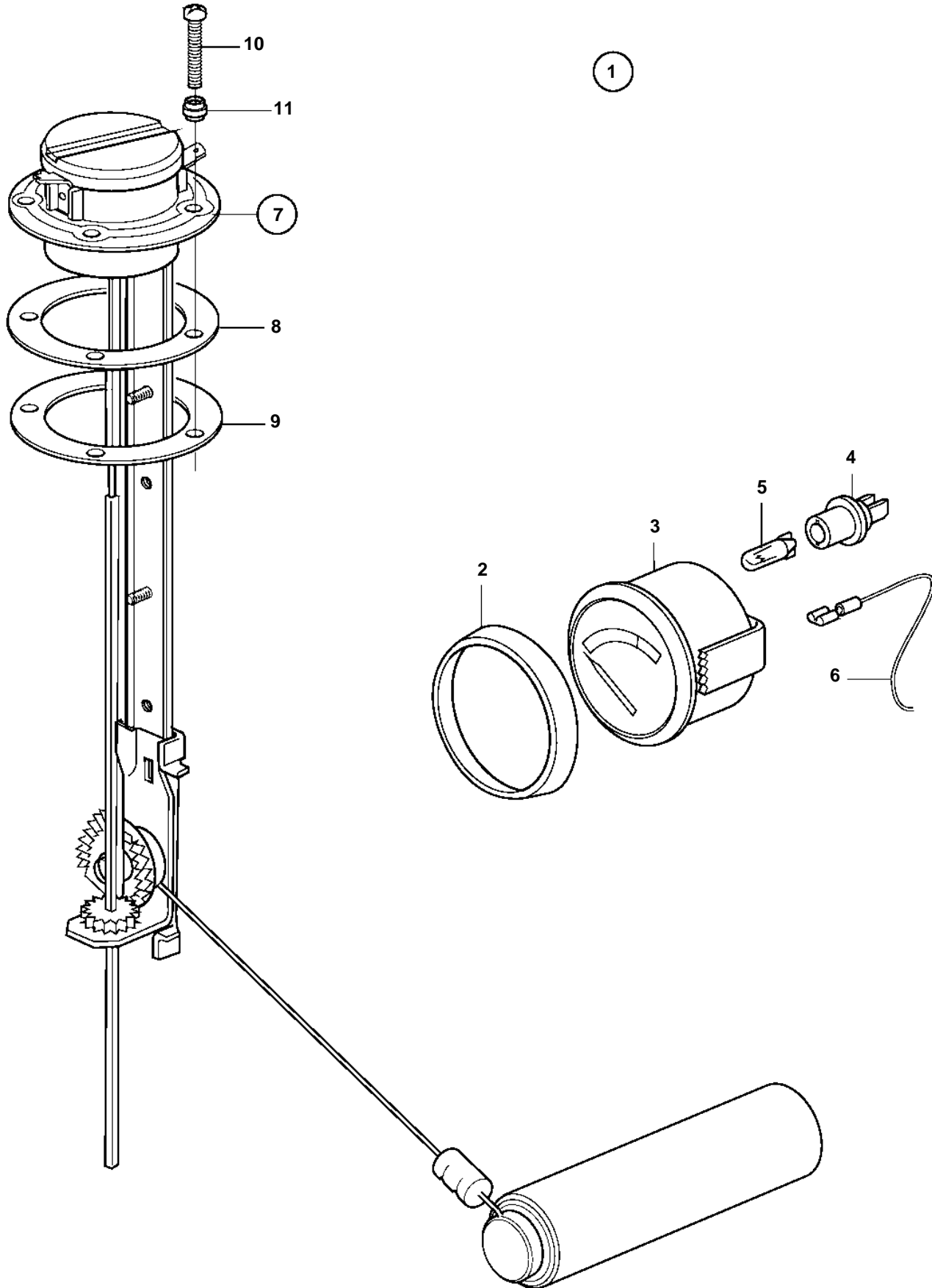


MD22P-B, TMD22-B, TMD22P-C, TAMD22P



MD22P-B, TMD22-B, TMD22P-C, TAMD22P

REF	PART NO.	QTY	DESCRIPTION	SEE SEC.	NOTES
1	873808	1	Fuel gauge kit		(858879)
2	858643	1	• Front ring		
3	863940	1	• Fuel gauge		
4	863945	1	• • Bulb socket		For instrument of earlier production should white bulb 19923 and socket 808175 be mounted.
5	863946	1	• • Bulb		12V, 1,2W RED. For instrument of earlier production should white bulb 19923 and socket 808175 be mounted.
6		X	• Electrical materials	1963	
7	873772	1	• Tank sensor		(837999)
8	89865	1	• • Gasket		
9	834480	1	• • Flange		
10	969407	4	• • Screw		(956078)
	956081	1	• • Screw		
11	834481	5	• • Gasket		