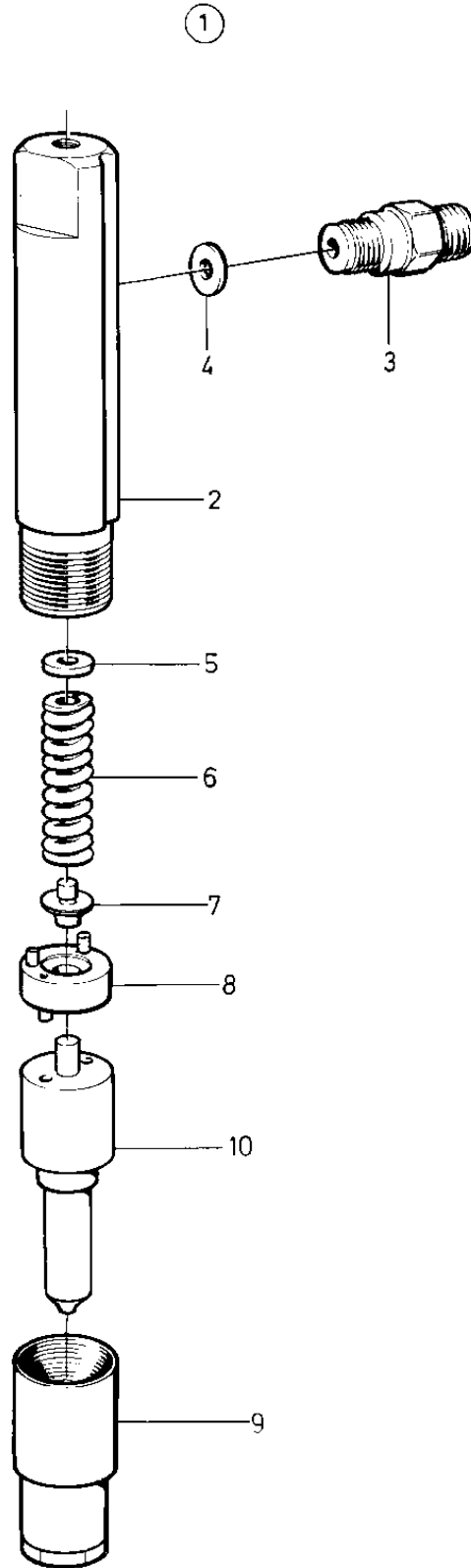


MD22L-B, MD22P-B, TMD22-B



9688

MD22L-B, MD22P-B, TMD22-B

REF	PART NO.	QTY	DESCRIPTION	NOTES
1	861228	1	Injector	
	3803292	1	Injector, exch	Exchange unit
2		1	<ul style="list-style-type: none"> <li>• Nozzle retainer</li> <li>• Comps. not spec.</li> </ul>	
10	861230	1	• Nozzle	