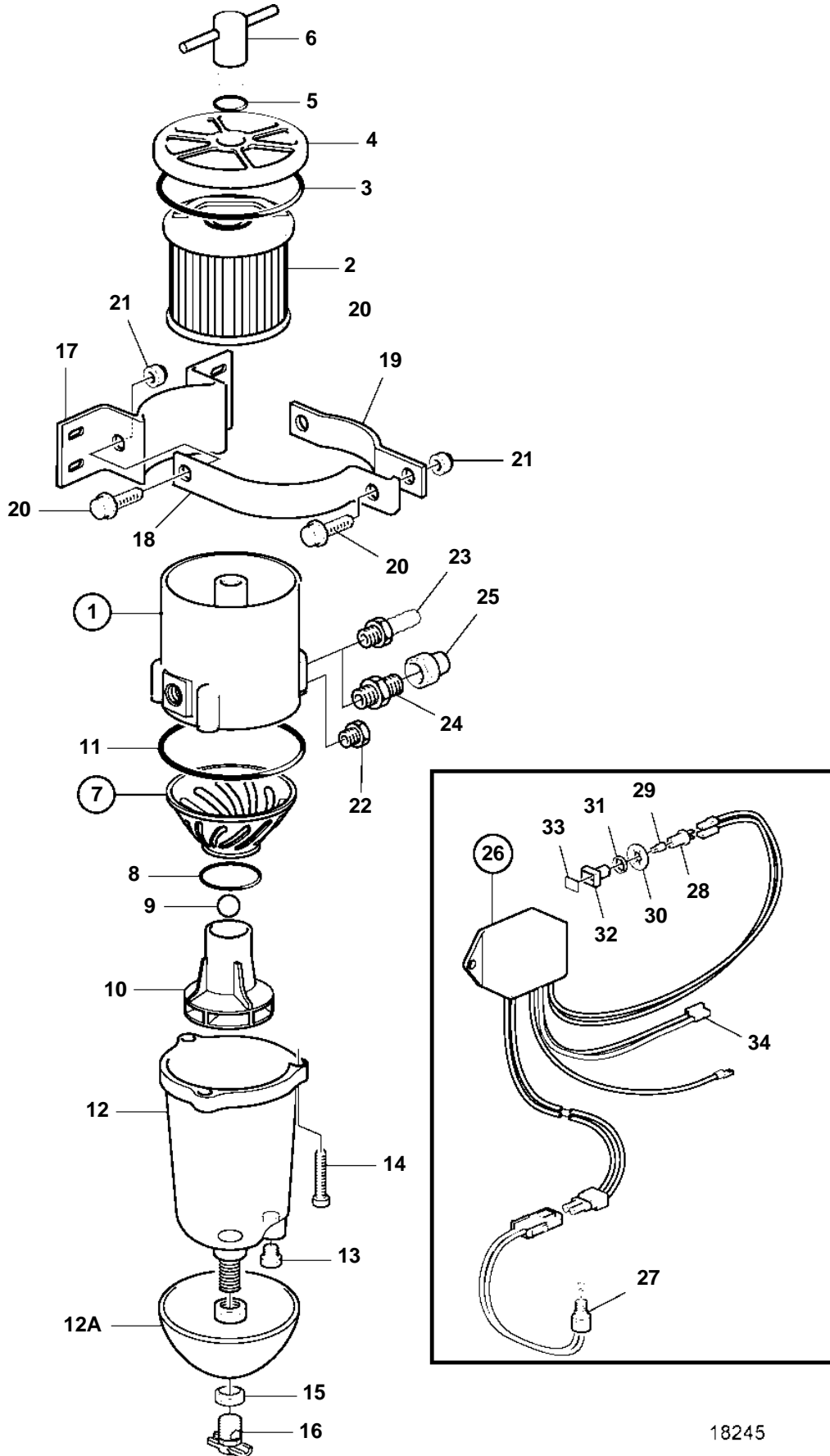


MD22L-B, MD22P-B, TMD22-B, TMD22P-C, TAMD22P-B



18245

MD22L-B, MD22P-B, TMD22-B, TMD22P-C, TAMD22P-B

REF	PART NO.	QTY	DESCRIPTION	SEE SEC.	NOTES
1	3582350	1	Fuel filter		REPL BY 877763
			Bulletin 50-11A	50-11A-EN	Fuel Filters / Water Separators
2	861014	1	• Insert		
3	838504	1	• Gasket		
4		1	• Cover		
5	838505	1	• O-ring		
6		1	• Knob		
7	861455	1	• Strainer		
8		1	• • O-ring		
9		1	• • Ball		
10		1	• • Insert		
11	838502	1	• • O-ring		
12	861457	1	Bowl		
12A		1	• Heat shield		
13		1	• Plug		
14	950024	4	• Screw		
15	861459	2	• Nut		
16	861458	1	• Tap		
17		1	• Bracket		
18		1	• Clamp		
19		1	• Clamp		
20		3	• Screw		
21		3	• Nut		
22		1	• Plug		
23	3825000	X	Nipple		(834781)
24	954337	X	Nipple		
25	954323	X	Cap nut		
26	1140609	1	Alarm kit		
27	1140624	1	• Level sensor		
28	808175	1	• Bulb socket		
29	19923	1	• Bulb		12V, 2W
	182059	1	• Bulb		24V, 3W
30	967583	1	• Retainer		
31	829714	1	• Seal		
32	838455	1	• Retainer		
33	872591	1	• Symbol strip		
34		X	• Cables and terminals	1963	