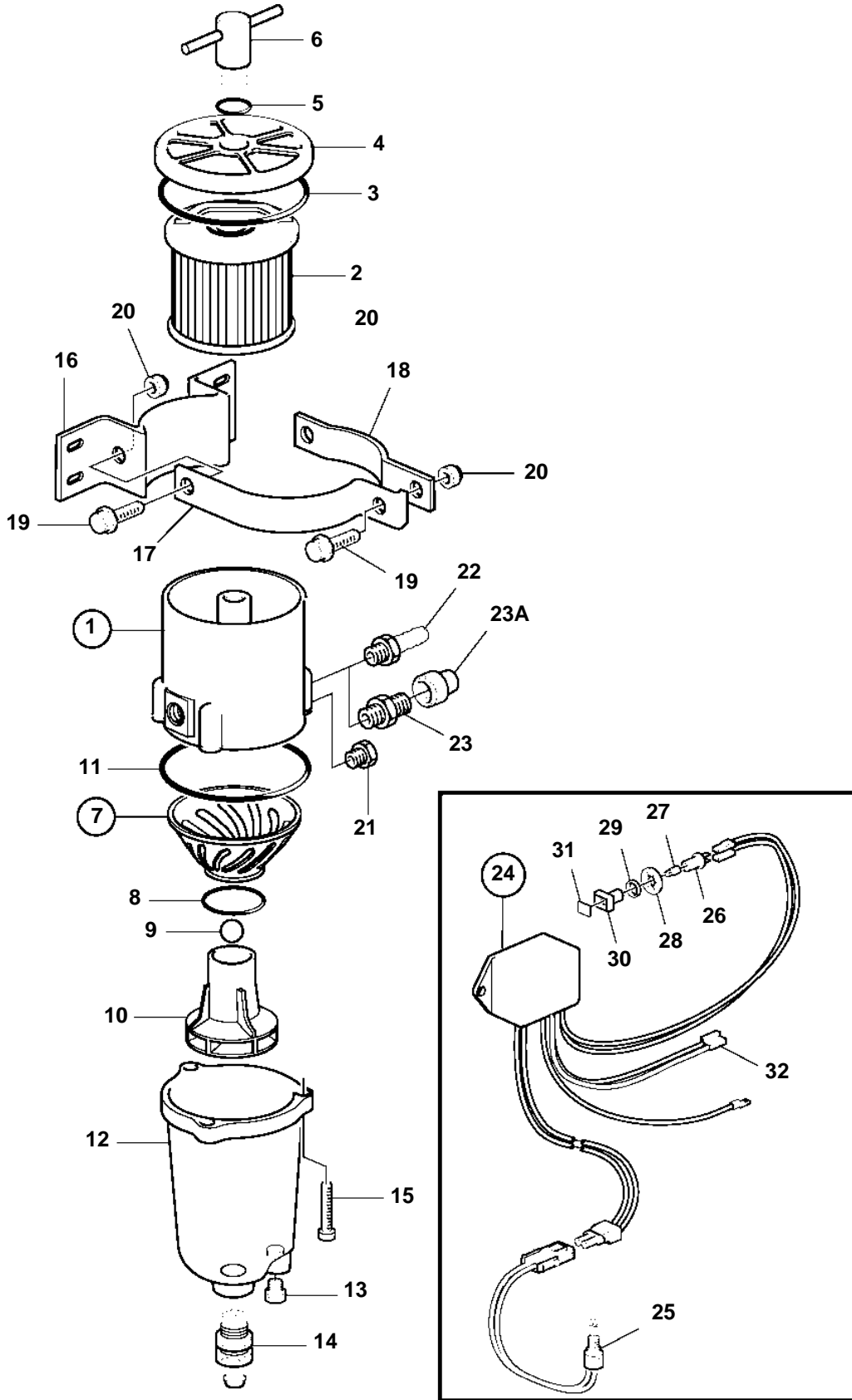


MD22L-B, MD22P-B, TMD22-B, TMD22P-C, TAMD22P-B



MD22L-B, MD22P-B, TMD22-B, TMD22P-C, TAMD22P-B

REF	PART NO.	QTY	DESCRIPTION	SEE SEC.	NOTES
1	861143	1	Fuel filter		REPL BY 877762
			Bulletin 50-03	50-03-EN	Extra Fuel/Water Separators, D2010, D22
			Bulletin 50-10	50-10-EN	Changes in Fuel Filter Program due to Legislation
			Bulletin 50-11A	50-11A-EN	Fuel Filters / Water Separators
2	861014	1	• Insert		
3	838504	1	• Gasket		
4		1	• Cover		
5	838505	1	• O-ring		
6		1	• Knob		
7	861455	1	• Strainer		
8		1	• • O-ring		
9		1	• • Ball		
10		1	• • Insert		
11	838502	1	• • O-ring		
12	3838848	1	• Bowl		(861453)
13		1	• Plug		
14	861456	1	• Tap		
15	950024	4	• Screw		
16		1	• Bracket		
17		1	• Clamp		
18		1	• Clamp		
19		3	• Screw		
20		3	• Nut		
21		1	• Plug		
22	3825000	X	Nipple		(834781)
23	954337	X	Nipple		
23A	954323	X	Cap nut		
24	1140724	1	Level guard		
25	1140624	1	• Level sensor		
26	808175	1	• Bulb socket		
27	19923	1	• Bulb		12V, 2W
	182059	1	• Bulb		24V, 3W
28	967583	1	• Retainer		
29	829714	1	• Seal		
30	838455	1	• Retainer		
31	872591	1	• Symbol strip		
32		X	• Cables and terminals	1963	