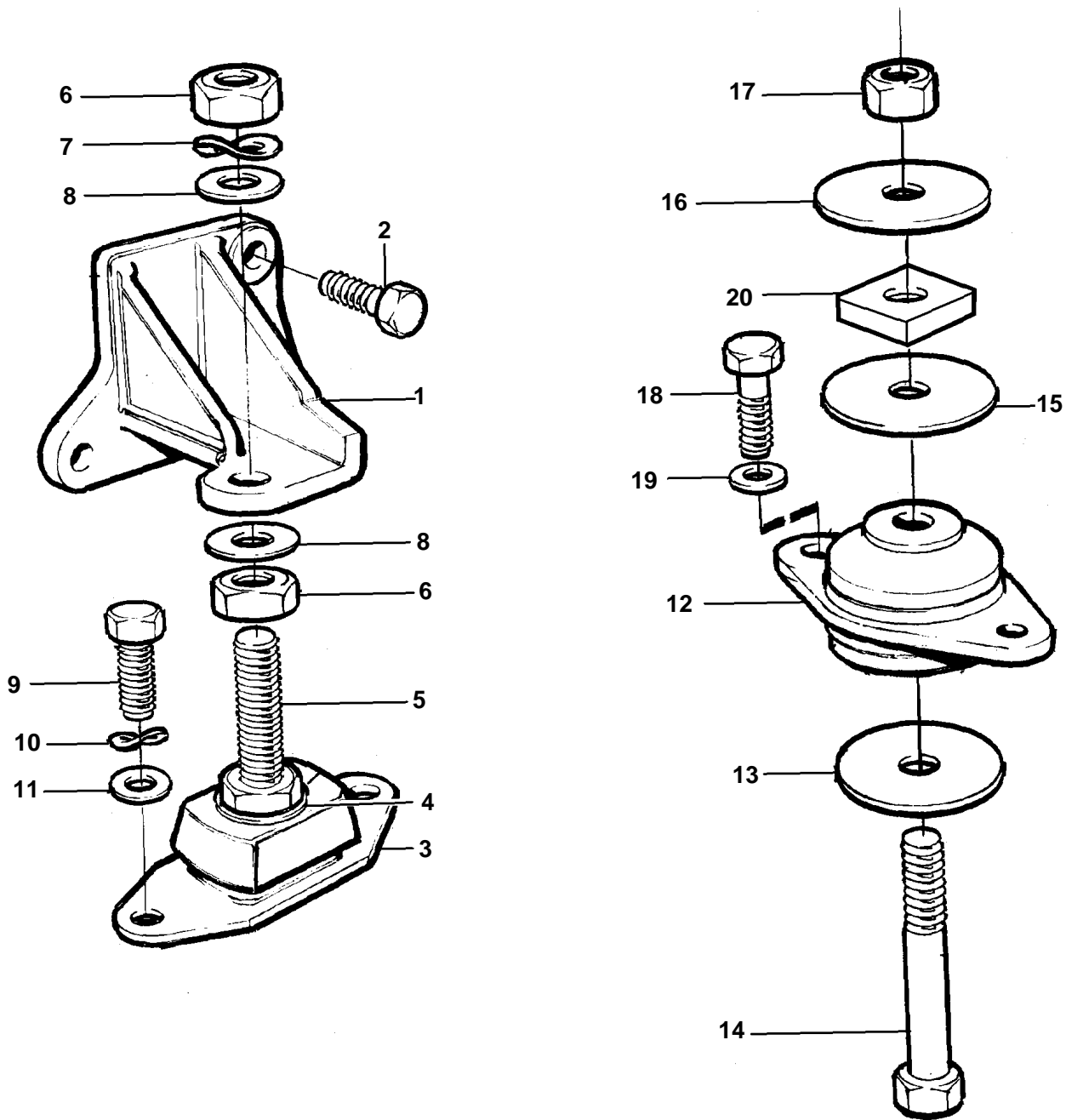


MD22P-B, TMD22-B, TMD22P-C, TAMD22P-B



16798

MD22P-B, TMD22-B, TMD22P-C, TAMD22P-B

REF	PART NO.	QTY	DESCRIPTION	NOTES
1	859860	1	Bracket	P
	859861	1	Bracket	S.B
2	946329	6	Flange screw	(973083)
3	846765	2	Rubber element	
4	955900	2	Washer	
5	846768	2	Adjuster screw	
6	955805	4	Nut	
7	941912	2	Spring washer	
8	955900	4	Washer	
9	965220	4	Flange screw	
10	941908	4	Spring washer	
11	976945	4	Washer	(960148)
12	861794	2	Rubber cushion	
13	3852542	2	Washer	
14	3850930	2	Screw	
15	3852622	2	Washer	
16	3852540	2	Washer	
17	3850929	2	Nut	
18	959968	4	Screw	
19	3852155	4	Washer	
20	3852539	2	Nut	