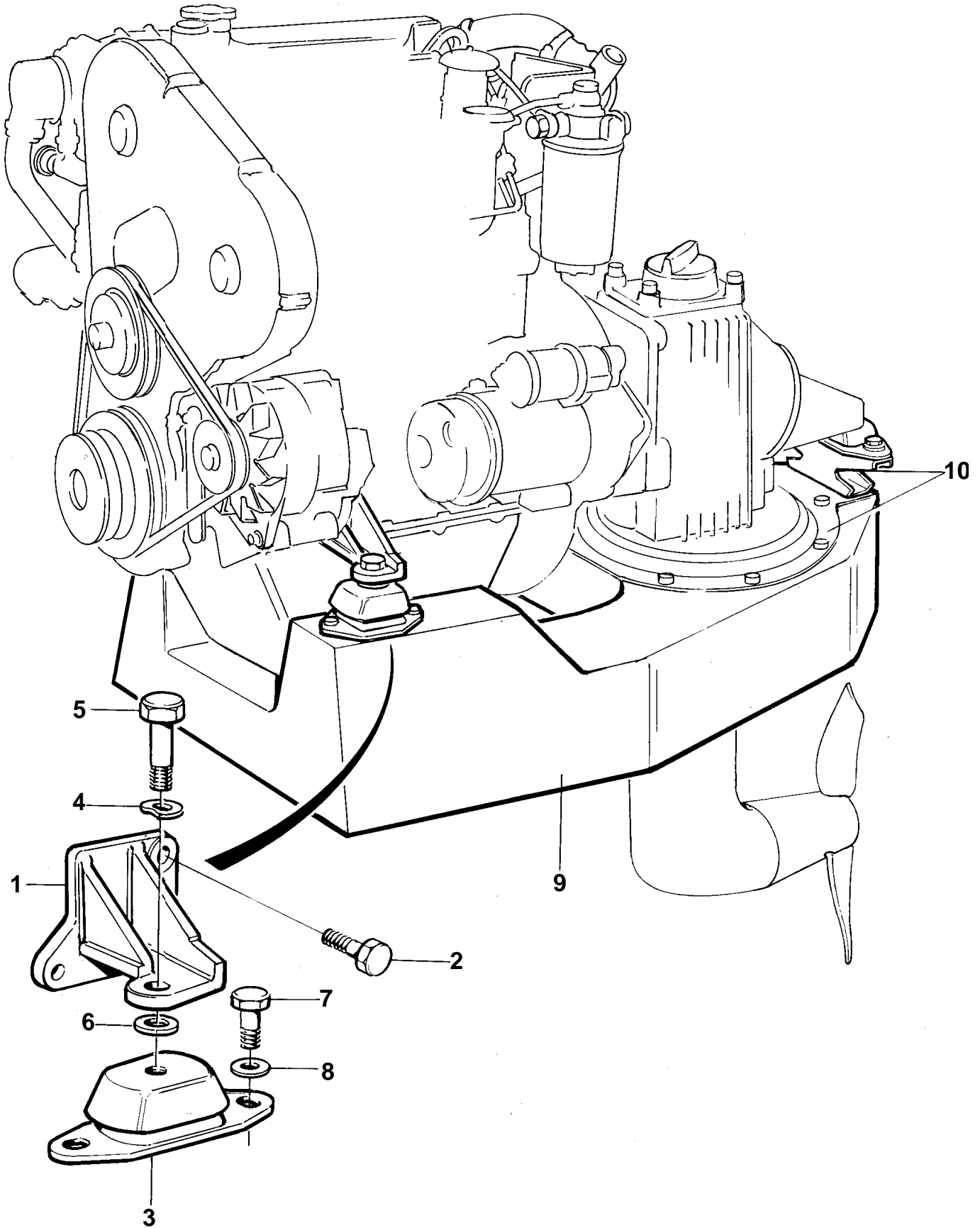


MD22L-B, MD22P-B



16600

MD22L-B, MD22P-B

REF	PART NO.	QTY	DESCRIPTION	SEE SEC.	NOTES
1	859860	1	Bracket		P
	859861	1	Bracket		S.B
2	946329	6	Flange screw		M10x25mm (973083)
3	858161	2	Rubber element		
4	941912	2	Spring washer		
5	959710	2	Screw		
6	955900	2	Washer		
7	963580	4	Screw		
8	976945	4	Washer		(960148)
9	3583120	1	Engine bed		(3581152)
10		1	Engine suspensionrear	4202	