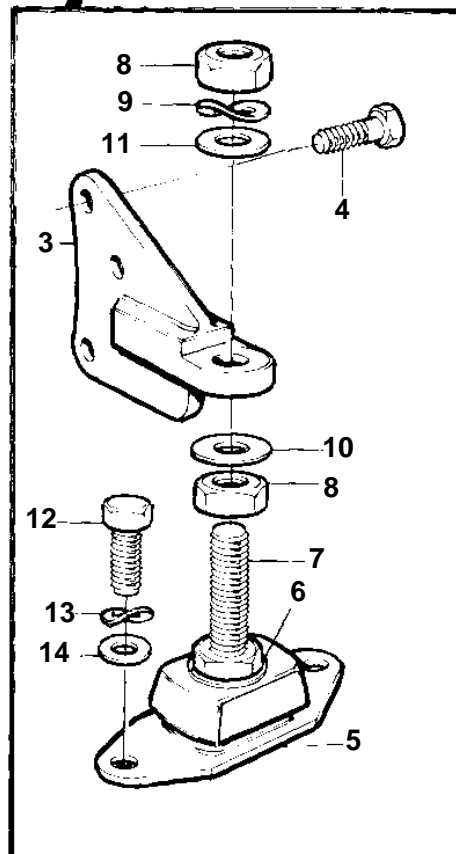
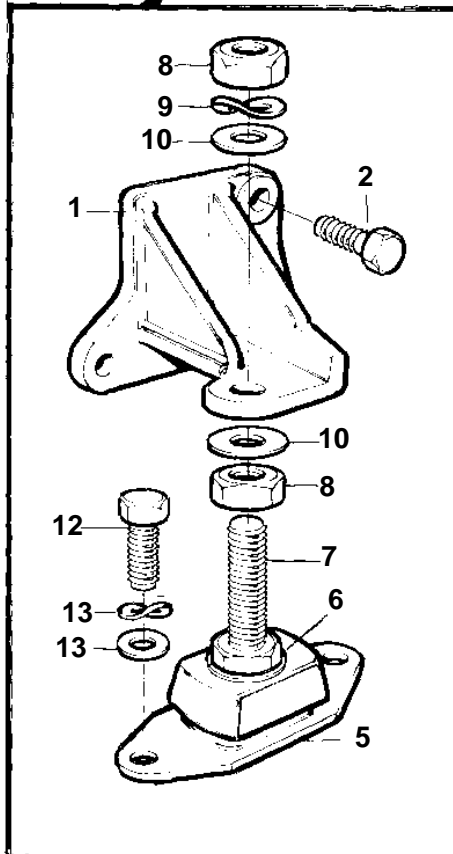
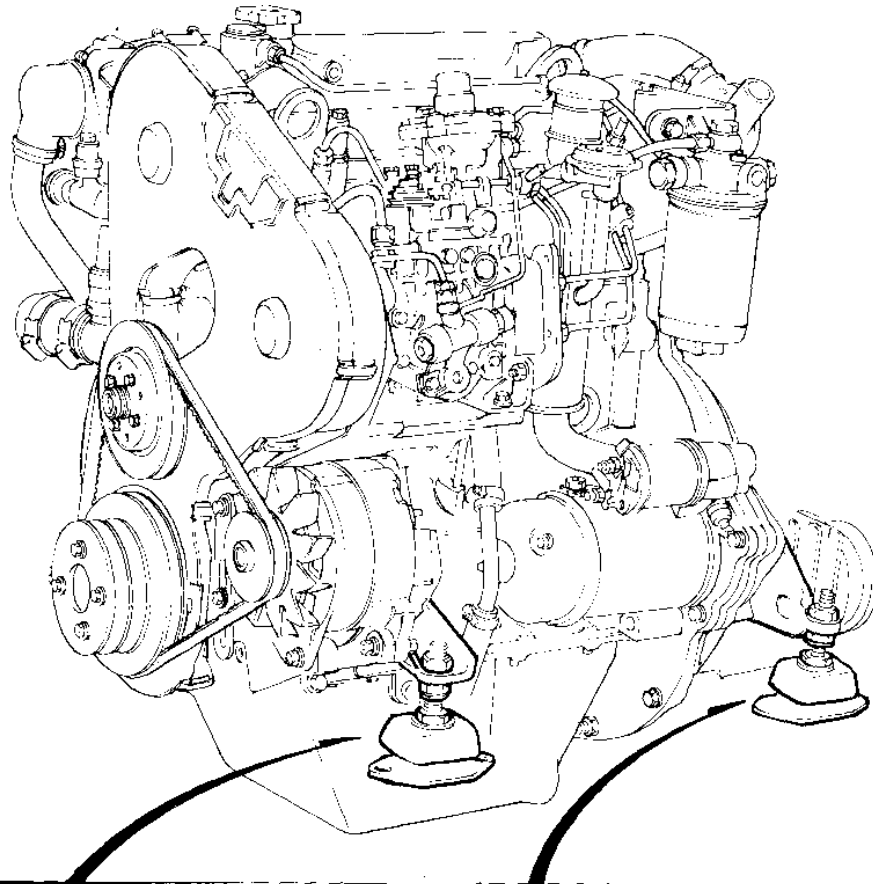


MD22L-B, MD22P-B, TMD22P-C, TMD22-B



16599

MD22L-B, MD22P-B, TMD22P-C, TMD22-B

REF	PART NO.	QTY	DESCRIPTION	NOTES
1	859860	1	Bracket	P
	859861	1	Bracket	S.B
2	946329	6	Flange screw	M10x25mm (973083)
3	859862	2	Bracket	
4	946329	6	Flange screw	M10x25mm (973083)
5	846765	4	Rubber element	
6	955900	4	Washer	
7	846768	4	Adjuster screw	
8	955805	8	Nut	
9	941912	4	Spring washer	
10	955900	6	Washer	17x30
11	955900	2	Washer	17x30
12	965220	8	Flange screw	M10x45mm
13	941908	8	Spring washer	
14	976945	8	Washer	(960148)