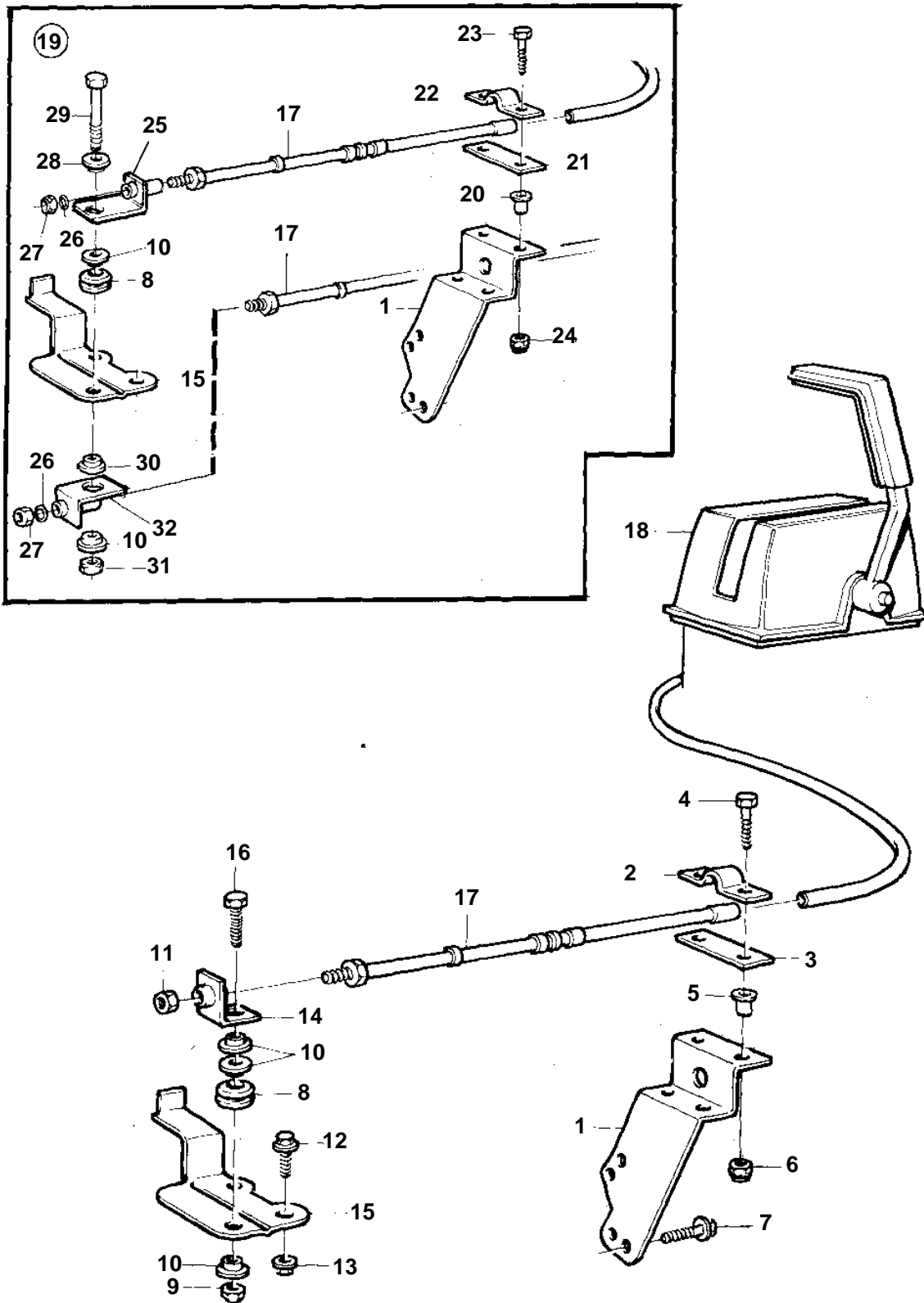


MD22P-B, TMD22-B, TMD22P-C, TAMD22P



16584

**MD22P-B, TMD22-B, TMD22P-C, TAMD22P**

REF	PART NO.	QTY	DESCRIPTION	SEE SEC.	NOTES
1	3580724	1	Bracket		MD22L-B, MD22P-B
	859859	1	Bracket		TMD22-B, TAMD22P-B
2	819067	1	Brace		
3	819068	1	Washer		
4	955249	2	Screw		
5	843108	2	Bushing		
6	946577	2	Lock nut		
7	946544	2	Flange screw		L=16mm
8	843109	1	Bushing		
9	946035	1	Lock nut		
10	843105	3	Spacer washer		
11	951674	1	Lock nut		
12	965199	1	Screw		
13	965483	1	Nut		
14	843107	1	Anchorage		
15	859974	1	Lever		
16	955274	1	Screw		
17		X	Control cable	231	
18		X	Control		
19	3581042	1	Ds unit		For double steering positions.
20	843108	2	· Bushing		
21	819068	1	· Washer		
22	819067	1	· Brace		
23	955249	2	· Screw		
24	946577	2	· Lock nut		
25	861215	1	· Bracket		
26	955971	2	· O-ring		
27	951674	2	· Lock nut		
28	843105	1	· Spacer washer		
29	955275	1	· Screw		
30	843105	1	· Spacer washer		
31	946035	1	· Lock nut		
32	861214	1	· Bracket		