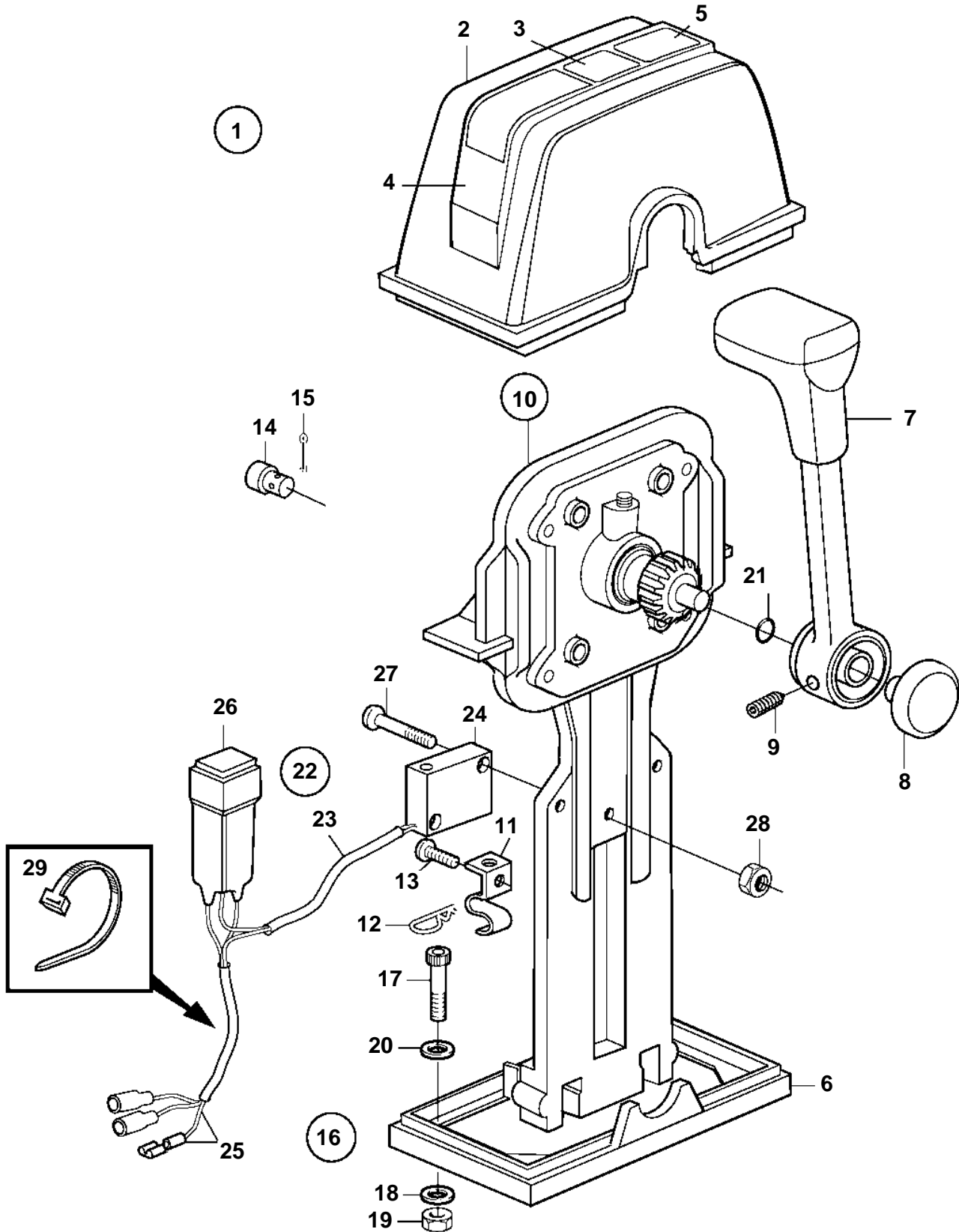


MD22P-B, TMD22-B, TMD22P-C, TAMD22P



## MD22P-B, TMD22-B, TMD22P-C, TAMD22P

REF	PART NO.	QTY	DESCRIPTION	SEE SEC.	NOTES
1	853168	1	Mounting kit		For single installation.
2	1140046	1	• Cover		
3	851896	2	• • Decal		
4		1	• • Cover plate		
5		1	• • Decal		
6	839474	1	• • Plate		
7	852347	1	• Lever		
8		1	• • Push button	266	Included in complete handle.
9		1	• • Screw		Included in complete handle.
10	851600	1	• Control		
11	853423	1	• • Retainer		
12	852924	1	• • Clip		
13	839664	1	• • Screw		
14	839638	1	• • Cube		
15	17253	1	• • Cotter pin		
16		1	• Screw kit		
17	947671	4	• • Allen head screw		
18	960138	4	• • Washer		
19	955780	4	• • Nut		
20	940090	4	• • Washer		
21	925058	1	• O-ring		
22	855352	1	Neutral posit contac		
23	839619	1	• Cable kit		
24	850200	1	• • Switch		
25		X	• • Cables and terminals	1963	
26	876037	1	• Relay kit		
27	946177	2	• Screw		
28	947536	2	• Nut		
29	948211	X	• Strip clamp		