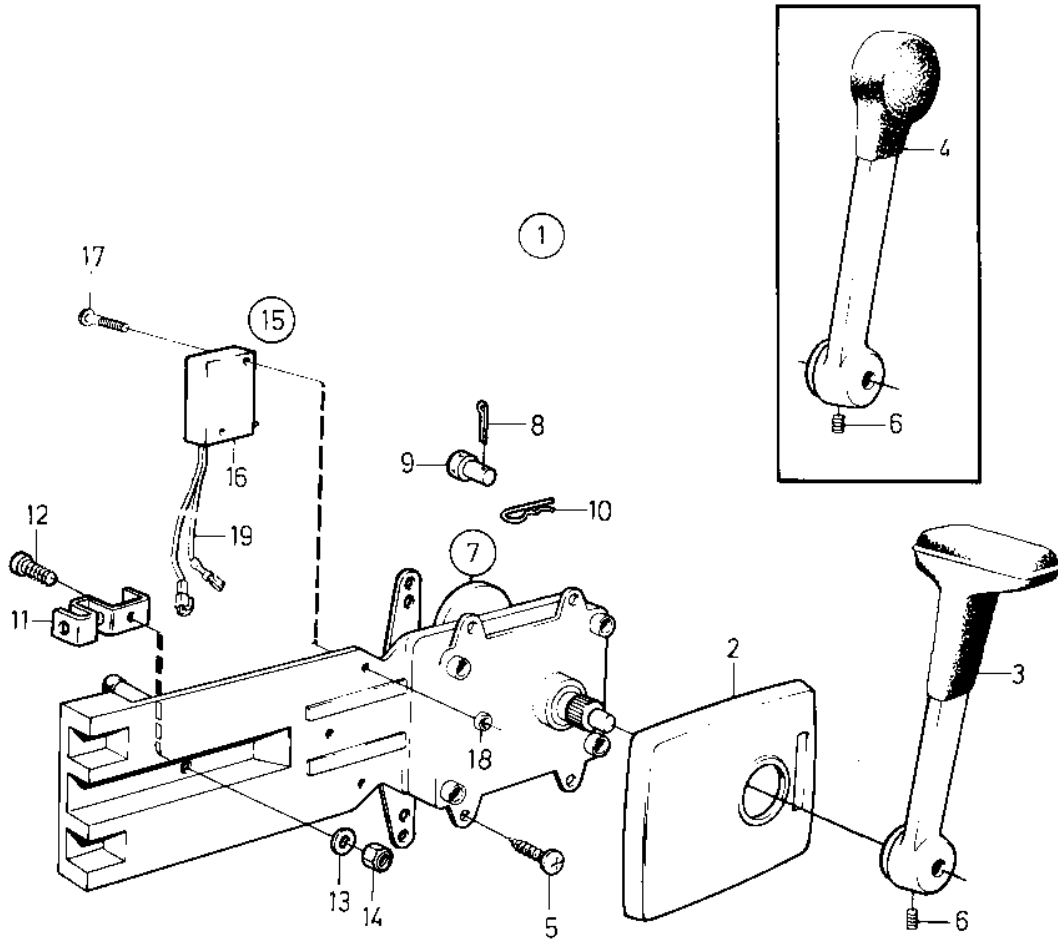


MD22P-B, TMD22-B, TMD22P-C, TAMD22P



9584

MD22P-B, TMD22-B, TMD22P-C, TAMD22P

REF	PART NO.	QTY	DESCRIPTION	SEE SEC.
1	851605	1	Mounting kit	
2	1140048	1	· Cover	
4	839521	1	· Lever	
5	955142	4	· Screw	
6	839693	1	· Lock screw	
7	851601	1	Control	
8	17253	2	· Cotter pin	
9	839638	2	· Cube	
10	852924	1	· Clip	
11	853423	1	· Retainer	
12	839664	1	· Screw	
13	940275	1	· Washer	
14	946435	1	· Lock nut	
15	855352	1	Neutral posit contac	
16	850200	1	· Switch	
17	946177	2	· Screw	
18	947536	2	· Nut	
19		X	· Electrical materials	1963