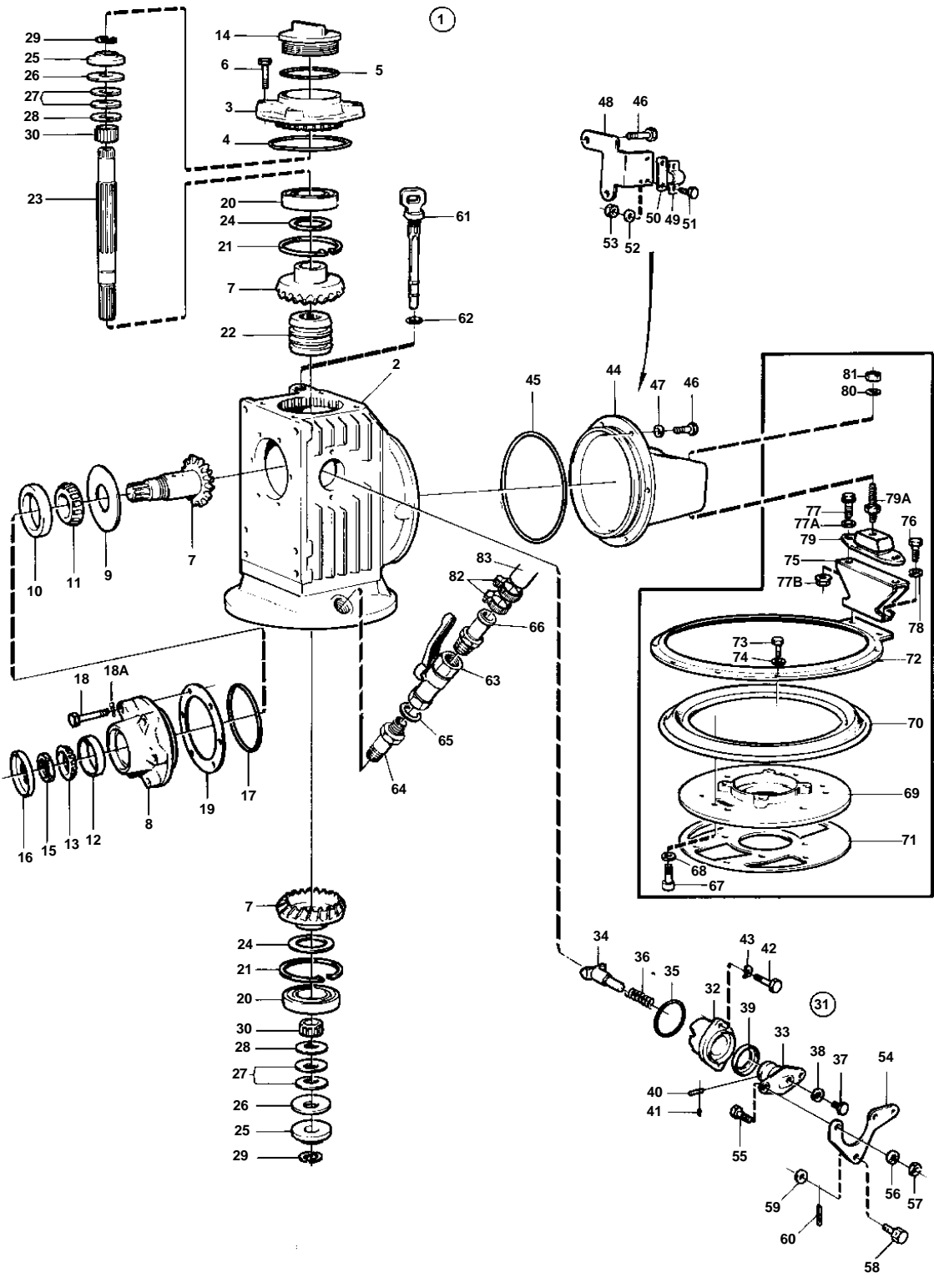


120S-E



11552

## 120S-E

| REF | PART NO. | QTY | DESCRIPTION           | SEE SEC.    | NOTES                             |
|-----|----------|-----|-----------------------|-------------|-----------------------------------|
| 1   | 873104   | 1   | Upper gear unit       |             |                                   |
| 2   | 873085   | 1   | • Gear housing        |             |                                   |
| 3   | 873123   | 1   | • Cover               |             |                                   |
| 4   | 949962   | 1   | • O-ring              |             |                                   |
| 5   | 1664473  | 1   | • O-ring              |             |                                   |
| 6   | 946671   | 4   | • Flange screw        |             |                                   |
| 7   | 873095   | 1   | • Gear set            |             |                                   |
| 8   | 872710   | 1   | • Bearing box         |             |                                   |
| 9   | 851621   | 1   | • Guide disc          |             |                                   |
| 10  | 181302   | 1   | • Cup                 |             |                                   |
| 11  | 181301   | 1   | • Inner ring          |             |                                   |
| 12  | 183750   | 1   | • Cup                 |             |                                   |
| 13  | 183752   | 1   | • Inner ring          |             |                                   |
| 14  | 851754   | 1   | • Oil filler cap      |             |                                   |
| 15  | 852485   | 1   | • Lock nut            |             |                                   |
| 16  | 873094   | 1   | • Sealing ring        |             |                                   |
| 17  | 925093   | 1   | • O-ring              |             |                                   |
| 18  | 940101   | 6   | • Screw               |             |                                   |
| 18A | 941906   | 6   | • Spring washer       |             |                                   |
| 19  | 851622   | X   | • Shim                |             | TH = 0,10mm                       |
|     | 851623   | X   | • Shim                |             | TH = 0.15mm                       |
|     | 851624   | X   | • Shim                |             | TH=0.35mm                         |
| 20  | 851756   | 2   | • Bearing             |             |                                   |
| 21  | 852190   | 2   | • Lock ring           |             |                                   |
| 22  | 873098   | 1   | • Sliding sleeve      |             |                                   |
| 23  | 873099   | 1   | • Shaft               |             |                                   |
| 24  | 852184   | X   | • Shim                |             | TH=0,05mm                         |
|     | 84219    | X   | • Shim                |             | TH = 0,10mm                       |
|     | 949776   | X   | • Shim                |             | TH = 0.15mm                       |
|     | 84218    | X   | • Spacer              |             | TH=0.35mm                         |
| 25  | 852079   | 2   | • Lock washer         |             |                                   |
| 26  | 852213   | 2   | • Disc spring         |             |                                   |
| 27  | 852080   | 6   | • Disc spring         |             |                                   |
| 28  | 852311   | 2   | • Washer              |             | TH=0,40mm                         |
|     | 852317   | 2   | • Washer              |             | TH = 0,80mm                       |
| 29  | 851629   | 4   | • Lock ring half      |             |                                   |
| 30  | 851757   | 2   | • Needle bearing      |             |                                   |
| 31  | 851661   | 1   | • Shift mechanism     |             |                                   |
| 32  | 851662   | 1   | • • Bearing housing   |             |                                   |
| 33  | 897816   | 1   | • • Eccentric piston  |             |                                   |
|     |          |     | • • Bulletin P-44-1-7 | P-44-1-7-EN | Shift mechanism, eccentric piston |
| 34  | 851664   | 1   | • • Dog               |             |                                   |
| 35  | 925065   | 1   | • • O-ring            |             |                                   |
| 36  | 814184   | 1   | • • Spring            |             |                                   |
| 37  | 897711   | 1   | • • Screw             |             |                                   |
| 38  | 897871   | X   | • • Shim              |             | TH=0,20mm                         |
| 39  | 873291   | 1   | • • Sealing ring      |             |                                   |
| 40  | 942871   | 1   | • • Pin               |             |                                   |
| 41  | 951924   | 1   | • • Tensioning din    |             |                                   |
| 42  | 955296   | 2   | • Screw               |             |                                   |
| 43  | 941907   | 2   | • Spring washer       |             |                                   |
| 44  | 873149   | 1   | • Bracket             |             |                                   |
| 45  | 925262   | 1   | • O-ring              |             |                                   |
| 46  | 945444   | 6   | • Flange screw        |             |                                   |
| 47  | 955894   | 2   | • Washer              |             |                                   |
| 48  | 852074   | 1   | • Cable attachment    |             |                                   |
| 49  | 819067   | 1   | • Brace               |             |                                   |
| 50  | 819068   | 1   | • Washer              |             |                                   |
| 51  | 955246   | 2   | • Screw               |             |                                   |
| 52  | 940090   | 2   | • Washer              |             |                                   |
| 53  | 946577   | 2   | • Lock nut            |             |                                   |
| 54  | 852363   | 1   | • Lever               |             |                                   |
| 55  | 955270   | 2   | • Screw               |             |                                   |

## 120S-E

| REF | PART NO. | QTY | DESCRIPTION            | SEE SEC. | NOTES   |
|-----|----------|-----|------------------------|----------|---|
| 56  | 955948   | 2   | • Lock washer          |          |   |
| 57  | 955781   | 2   | • Nut                  |          |   |
| 58  | 840312   | 1   | • Screw                |          |   |
| 59  | 955892   | 1   | • Washer               |          |   |
| 60  | 17276    | 1   | • Cotter pin           |          |   |
| 61  | 873087   | 1   | • Oil dipstick         |          |   |
| 62  | 925055   | 1   | • O-ring               |          |   |
| 63  | 1140097  | 1   | • Ball valve           |          |   |
| 64  | 873173   | 1   | • Nipple               |          |   |
| 65  | 947626   | 1   | • Gasket               |          |   |
| 66  | 873317   | 1   | • Nipple               |          |   |
| 67  | 946541   | 3   | • Screw                |          |   |
| 68  | 941670   | 3   | • Washer               |          |   |
| 69  | 852719   | 1   | • Intermediate section |          |   |
| 70  |          | 1   | • Sealing strip        | IK       | Included in mounting kit 854934.                              |
| 71  | 853892   | 1   | Gasket                 |          | Included in mounting kit 854934.. Included in complete drive. |
| 72  | 873126   | 1   | Clamping ring          |          | Included in complete drive.                                   |
| 73  | 946730   | 10  | Screw                  |          | Included in complete drive.                                   |
| 74  | 941670   | 10  | Washer                 |          | Included in complete drive.                                   |
| 75  | 861538   | 1   | Bracket                |          |   |
| 76  | 963582   | 2   | Screw                  |          | L=35mm  |
| 77  | 946441   | 2   | Screw                  |          | L=20mm  |
| 77A | 1594095  | 2   | Washer                 |          |   |
| 77B | 971095   | 2   | Nut                    |          |   |
| 78  | 853095   | 2   | Washer                 |          |   |
| 79  | 858161   | 1   | Rubber element         |          |   |
| 79A | 861539   | 1   | Adjuster screw         |          |   |
| 80  | 940280   | 1   | Spring washer          |          |   |
| 81  | 971072   | 1   | Nut                    |          |   |
| 82  |          | 2   | Hose clamp             | 331      |   |
| 83  |          | 1   | Hose                   | 331      |   |