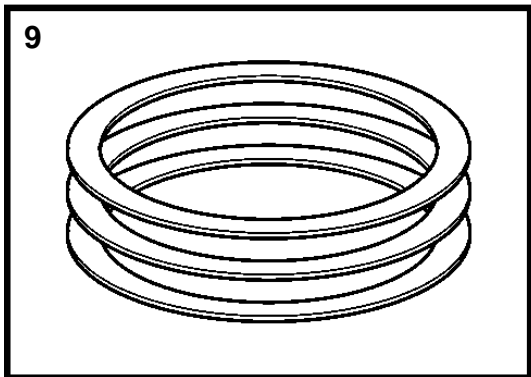
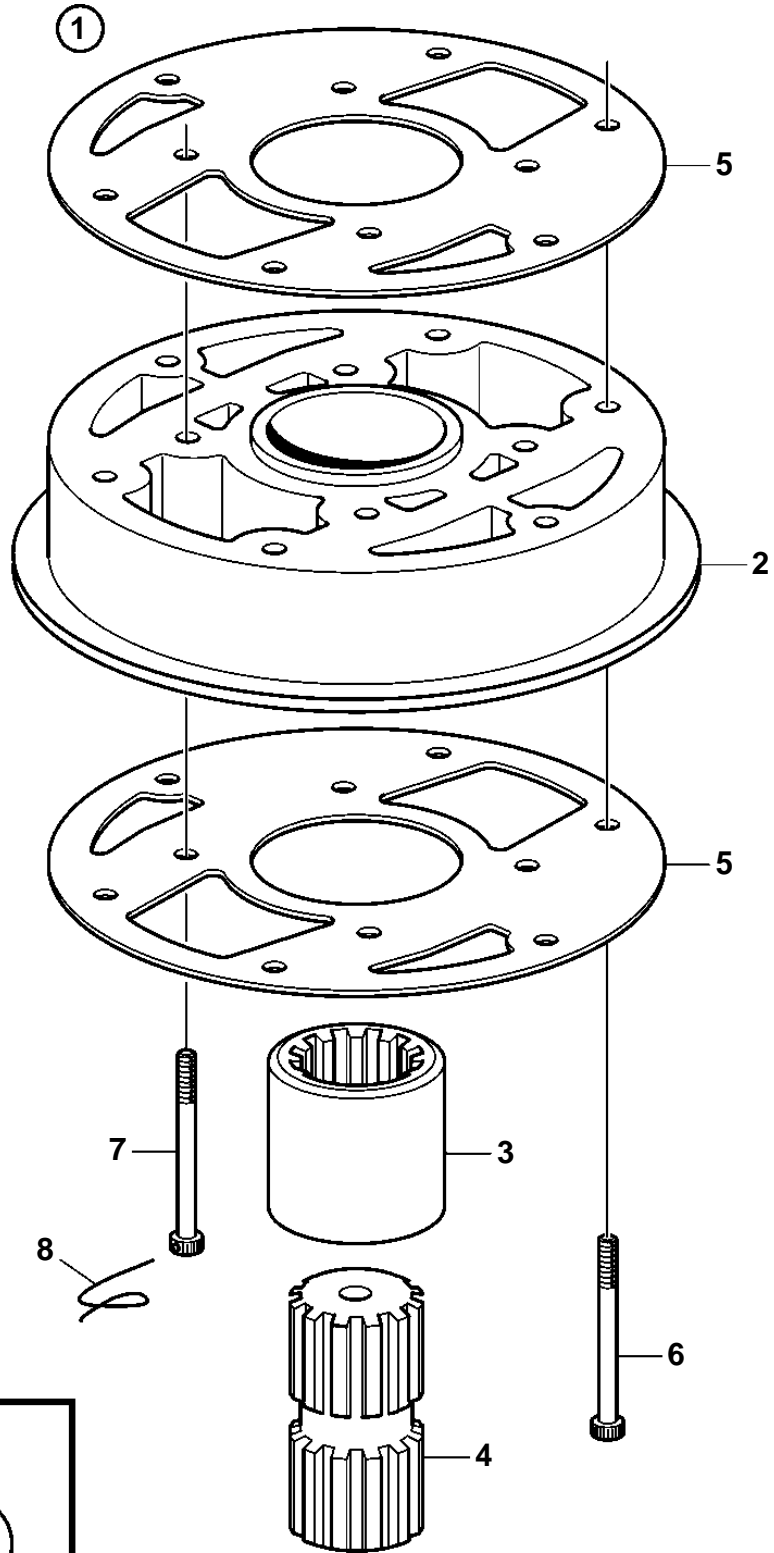


120S-D, 120S-E



120S-D, 120S-E

REF	PART NO.	QTY	DESCRIPTION	NOTES
1	854173	1	Extension kit	L=51mm
2		1	· Extension	
3	852442	1	· Splined sleeve	
4	852443	1	· Extension shaft	
5	853892	2	· Gasket	
6	967686	4	· Screw	L=90mm
	851858	4	· Screw	L=90mm
7	967687	2	· Screw	L=110mm
8	852669	1	· Locking wire	
9	948298	X	· Shim	TH = 0,10mm
	948299	X	· Shim	TH = 0.15mm
	948300	X	· Shim	TH=0.35mm