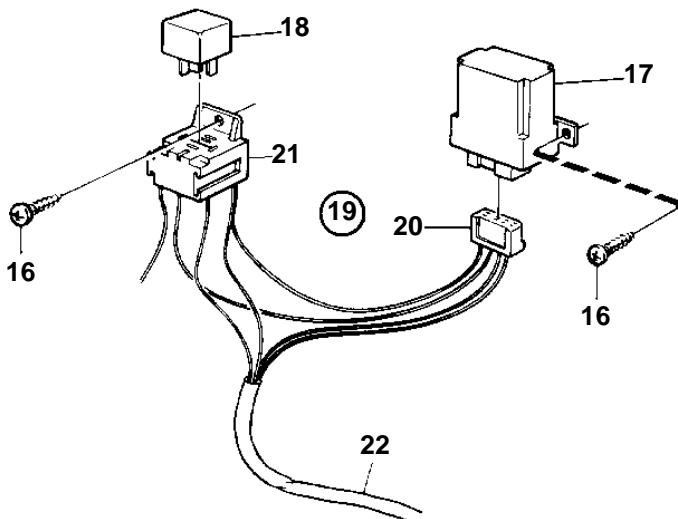
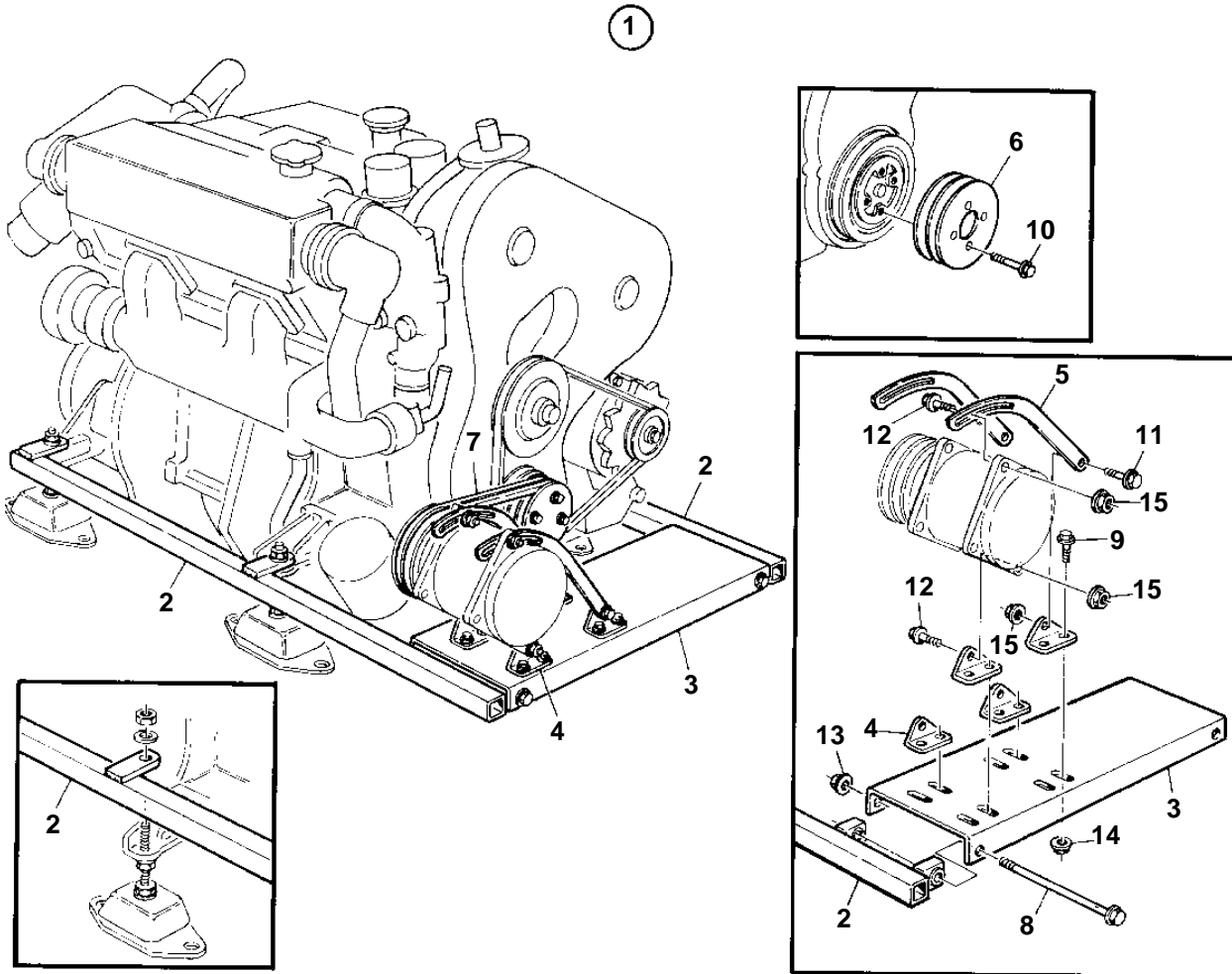


COMMON



COMMON

REF	PART NO.	QTY	DESCRIPTION	NOTES
1	854557	1	Universal bracket	
2		1	· Rod, left	
		1	· Rod, right	
3	854560	1	· Attaching plate	
4	854607	4	· Bracket	
5	854608	2	· Tensioner	
6	854564	1	· Pulley	
7	967162	1	· V-belt kit	HC50x800x2
8	955311	2	· Screw	M8x140mm
9	945444	8	· Flange screw	M8x25mm
10	947760	4	· Flange screw	M8x40mm
11	973083	2	· Flange screw	M10x25mm
12	968895	2	· Screw	M10x30mm
13	945408	2	· Flange nut	M8
14	945408	8	· Flange nut	M8
15	971095	4	· Nut	M10
16	955126	3	· Screw	L=9,5mm
17	860324	1	· Speed sensor	
18	876039	1	· Relay kit	
19		1	· Cable kit	
20	944076	1	· · Receptacle housing	
21	977184	1	· · Tab housing	
22		X	· · Cables and terminals	SE GROUP 30