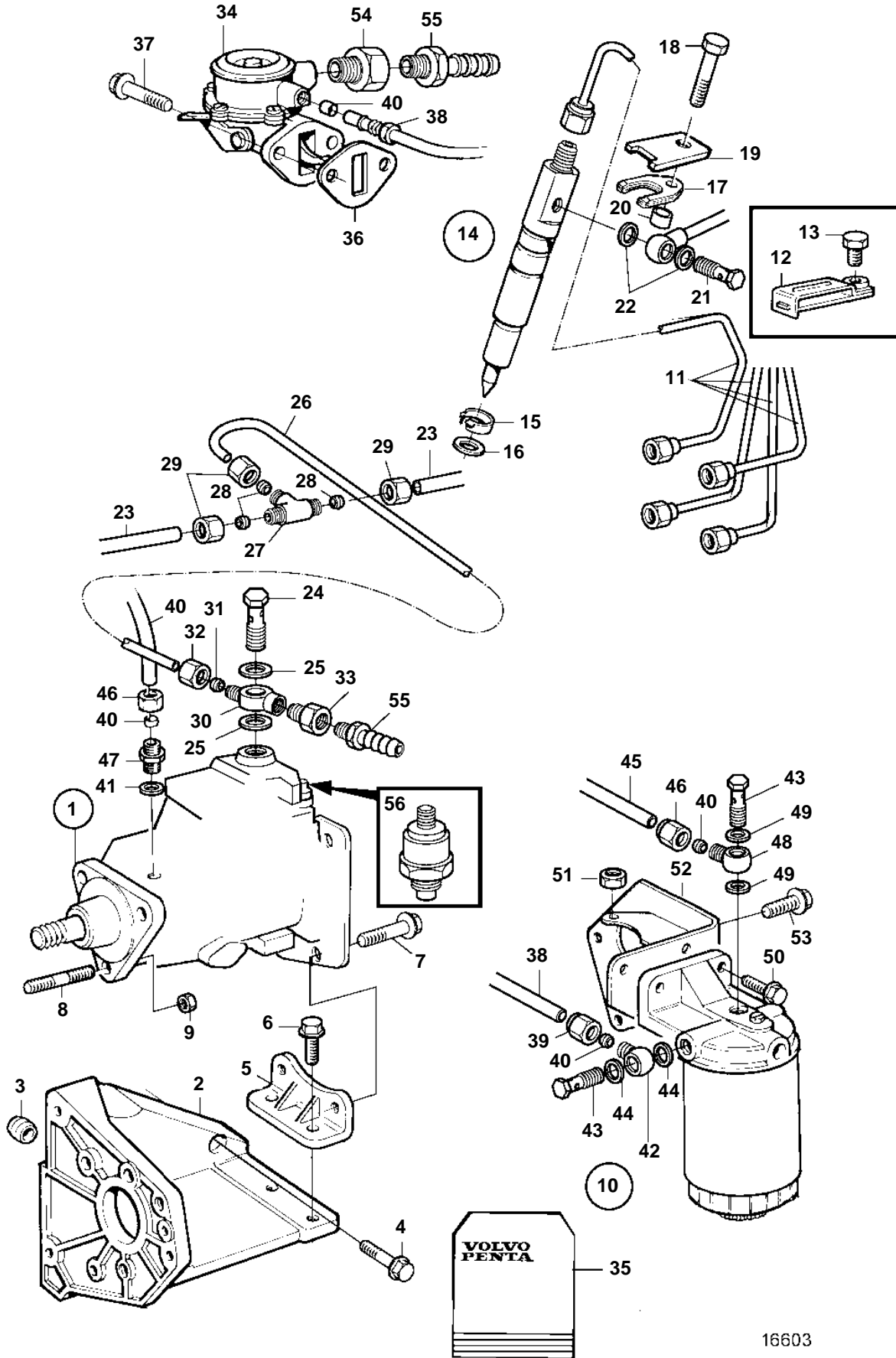


MD22L-A



16603

MD22L-A

REF	PART NO.	QTY	DESCRIPTION	SEE SEC.	NOTES
1	861227	1	Injection pump Comps. not spec.		
2		1	Bracket		
3		2	Guide pin		
4	965186	4	Flange screw		
5		1	Bracket		
6	946440	2	Flange screw		
7	946440	2	Flange screw		
8	924063	3	Stud		
9	945408	3	Flange nut		
10	859845	1	Fuel filter		
				315	
11	861232	1	Delivery pipe		CYL NO 1
	861233	1	Delivery pipe		CYL NO 2
	861234	1	Delivery pipe		CYL NO 3
	861235	1	Delivery pipe		CYL NO 4
12	861236	2	Clip		2-PIPES
13	859707	2	Screw		
14	861228	4	Injector		
	3803292	4	Injector, exch		Exchange unit
				314	
15	859702	4	Guide sleeve		
16	859698	4	Washer		
17	861241	4	Clamp		
18		4	• Screw		
19		4	• Washer		
20		4	Spacer		
21	861246	4	Hollow screw		
22	190990	8	Gasket		
23	861237	1	Leak-off pipe		CYL NO 1, 3
	861238	1	Leak-off pipe		CYL NO 2, 4
24	859852	1	Hollow screw		
25	11994	2	Gasket		(859853)
26	3580722	1	Hose		
27		1	• Pipe connection		
28	483468	3	Fitting		
29	483467	3	Nut		
30	3583445	1	Banjo nipple		
31	3583807	1	Fitting		
32	3583806	1	Nut		
33	3583808	1	Adapter		
34	859844	1	Feed pump		
35	480331	1	Repair kit		
36	859843	1	Gasket		(859851)
37	945444	2	Flange screw		
38	859847	1	Tube		
39	6637511	1	Nut		(6642527)
40	6634735	4	Fitting		
41	969011	2	Gasket		
42	6613554	1	Banjo nipple		
43	6642578	2	Hollow screw		
44	969011	2	Gasket		(6642567)
45	3580721	1	Tube		
46	6637511	2	Nut		
47	859850	1	Adapter		
48	6613554	1	Banjo nipple		
49	969011	2	Gasket		
50	973083	2	Flange screw		
51	971095	1	Nut		
52		1	Bracket		
53		3	Screw		
54	3580898	1	Adapter		
55	834781	2	Nipple		

MD22L-A

REF	PART NO.	QTY	DESCRIPTION	SEE SEC.	NOTES
56	876614	1	Stop solenoid		