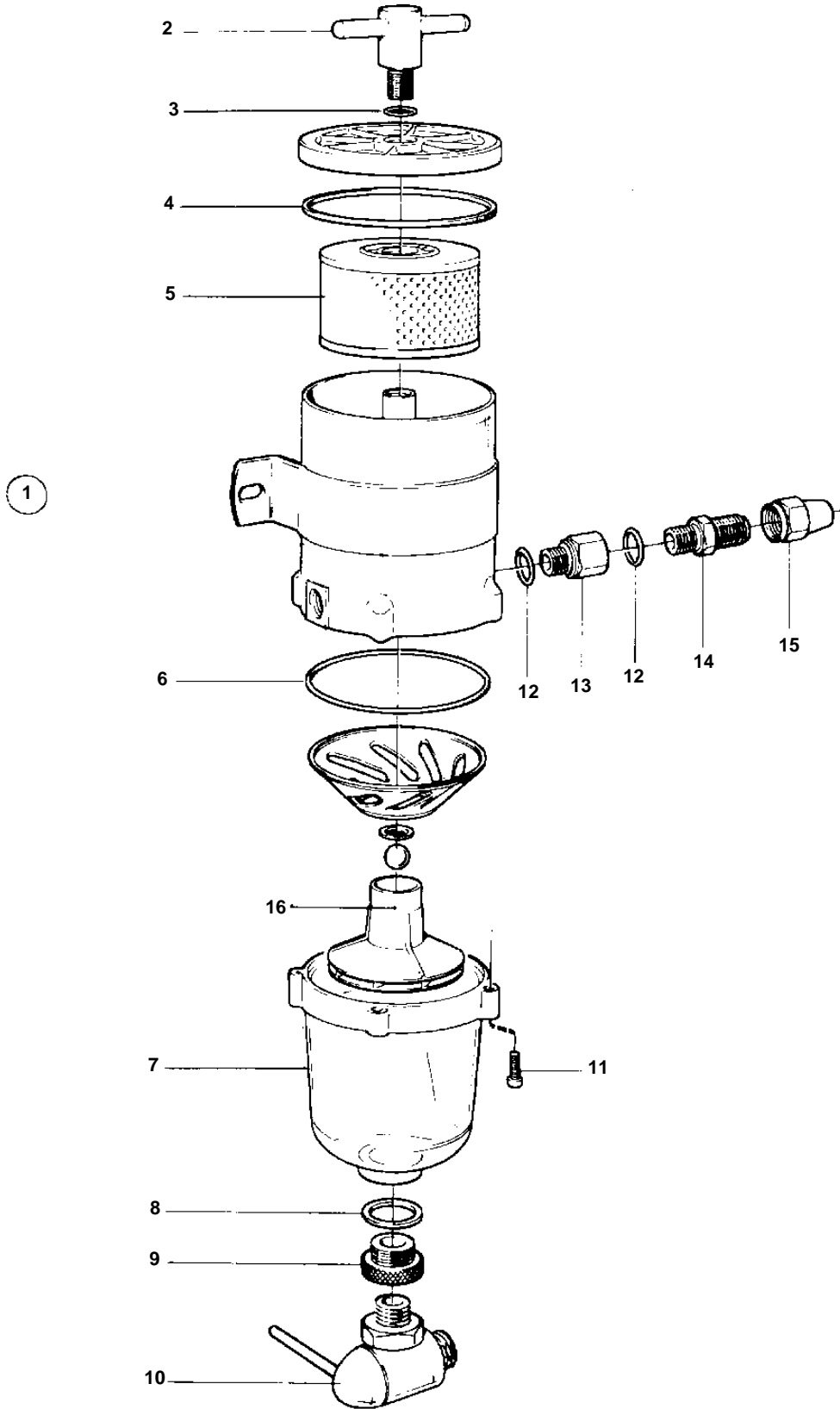


COMMON



11075

COMMON

| REF | PART NO. | QTY | DESCRIPTION | SEE SEC. | NOTES |
|-----|----------|-----|------------------|----------|--------------------|
| 1 | 828958 | 1 | Fuel cleaner | | REPLACED BY 861143 |
| | | | Bulletin 50-01 | 50-01-EN | Extra Fuel Filter |
| 2 | | 1 | • Handle | | |
| 3 | 1140250 | 1 | • Gasket | | |
| 4 | 1140252 | 1 | • Gasket | | |
| 5 | 861014 | 1 | • Insert | | (828897) |
| 6 | 1140251 | 1 | • Gasket | | |
| 7 | | 1 | • Reservoir | | |
| 8 | 860931 | 1 | • Seal | | |
| 9 | 860932 | 1 | • Reducing valve | | |
| 10 | 860933 | 1 | • Tap | | |
| 11 | | 4 | • Screw | | |
| 12 | 858601 | 4 | • O-ring | | |
| 13 | 828937 | 2 | • Nipple | | |
| 14 | 828942 | 2 | • Nipple | | |
| 15 | 954323 | 2 | • Cap nut | | |
| 16 | 860929 | 1 | • Insert | | |