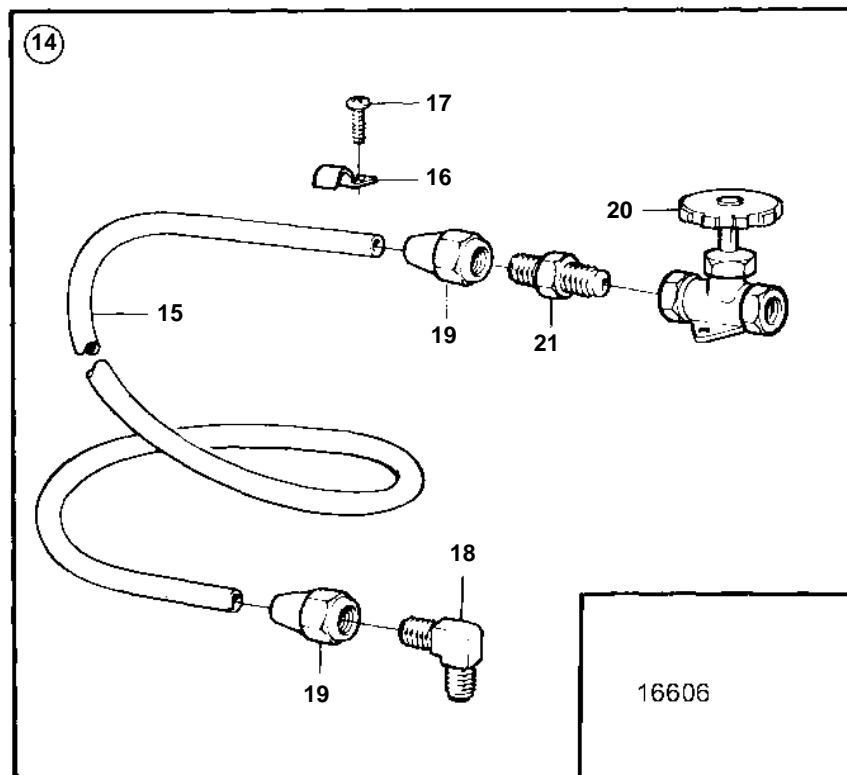
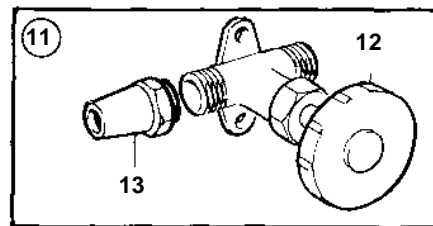
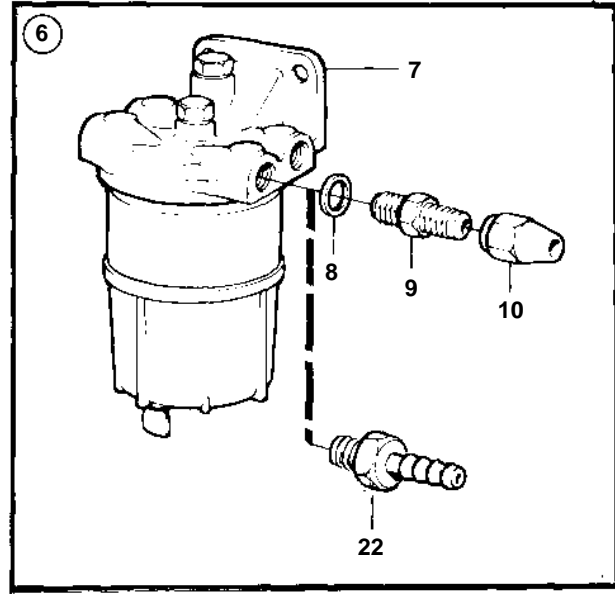
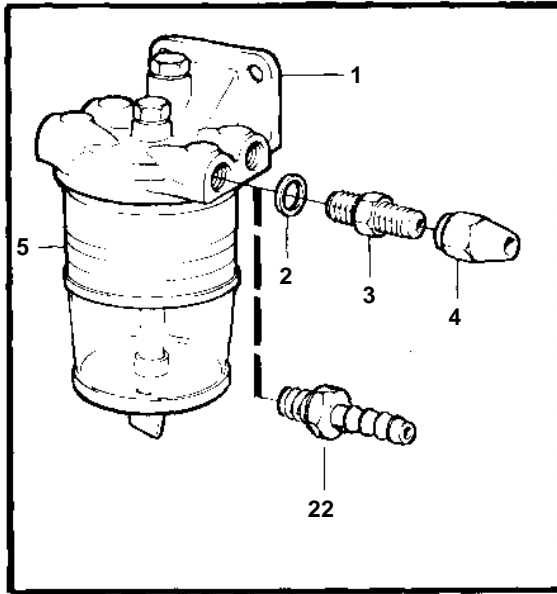


COMMON



16606

COMMON

REF	PART NO.	QTY	DESCRIPTION	SEE SEC.	NOTES
1	1140639	1	Fuel cleaner		REPL BY 877767
			Bulletin 50-11A	50-11A-EN	Fuel Filters / Water Separators
1	877767	1	Fuel filter		
2	18817	2	• Gasket		
3	191397	2	• Nipple		5/16"
	941438	2	• Nipple		3/8"
4	954322	2	• Cap nut		5/16"
	954323	2	• Cap nut		3/8"
5	858201	1	• Filter		
6	833972	1	Water separator		Water separator.
7	833971	1	Water separator		
8	957177	2	• Gasket		
9	191397	2	• Nipple		5/16"
	941438	2	• Nipple		3/8"
10	954322	2	• Cap nut		5/16"
	954323	2	• Cap nut		3/8"
11	838418	1	Fuel valve		3/8"
12	841523	1	• Tap		
13	954323	2	• Cap nut		
14	827912	1	Fuel line		5/16"
15	943847	X	• Tube		5/16", L=5m
16	951189	15	• Clamp		
17	968476	15	• Flange screw		
18	954343	1	• Elbow nipple		
19	954322	3	• Cap nut		
20	3581708	1	• Tap		
21	954336	2	• Nipple		
22	834781	1	Nipple		ALT