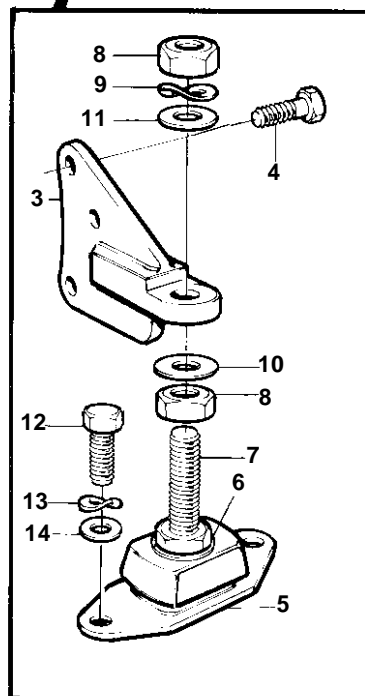
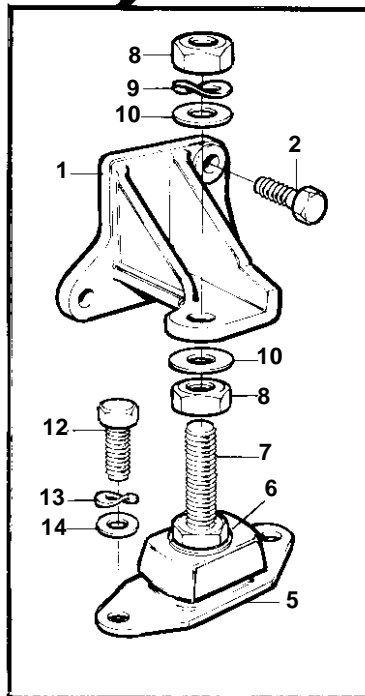
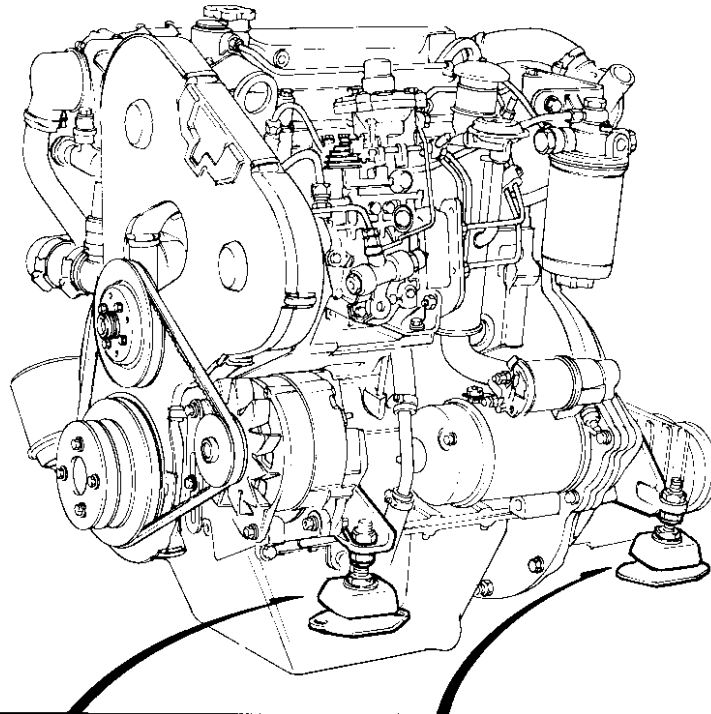


COMMON



11422

COMMON

REF	PART NO.	QTY	DESCRIPTION	SEE SEC.	NOTES
1	859860	1	Bracket		P
	859861	1	Bracket		S.B
2	973083	6	Flange screw		
3	859862	2	Bracket		
4	973083	6	Flange screw		
5	846764	4	Rubber element		Replaced by 846765-6, 846768-0 and 955900-6.
			Bulletin 44-26	44-26-EN	Reinforced Rubber Cushion
5	846765	4	Rubber element		
6	955900	4	· Washer		
7	846768	4	· Adjuster screw		
8	955805	8	Nut		
9	941912	4	Spring washer		
10	191940	6	Washer		17x40, EARLY TYPE
	955900	6	Washer		17x30, LATE TYPE
11	955900	2	Washer		17x30
12	970951	8	Screw		M10x45mm, EARLY TYPE
	965220	8	Flange screw		M10x45mm, LATE TYPE
13	941908	8	Spring washer		FOR 970951
14	960148	8	Washer		