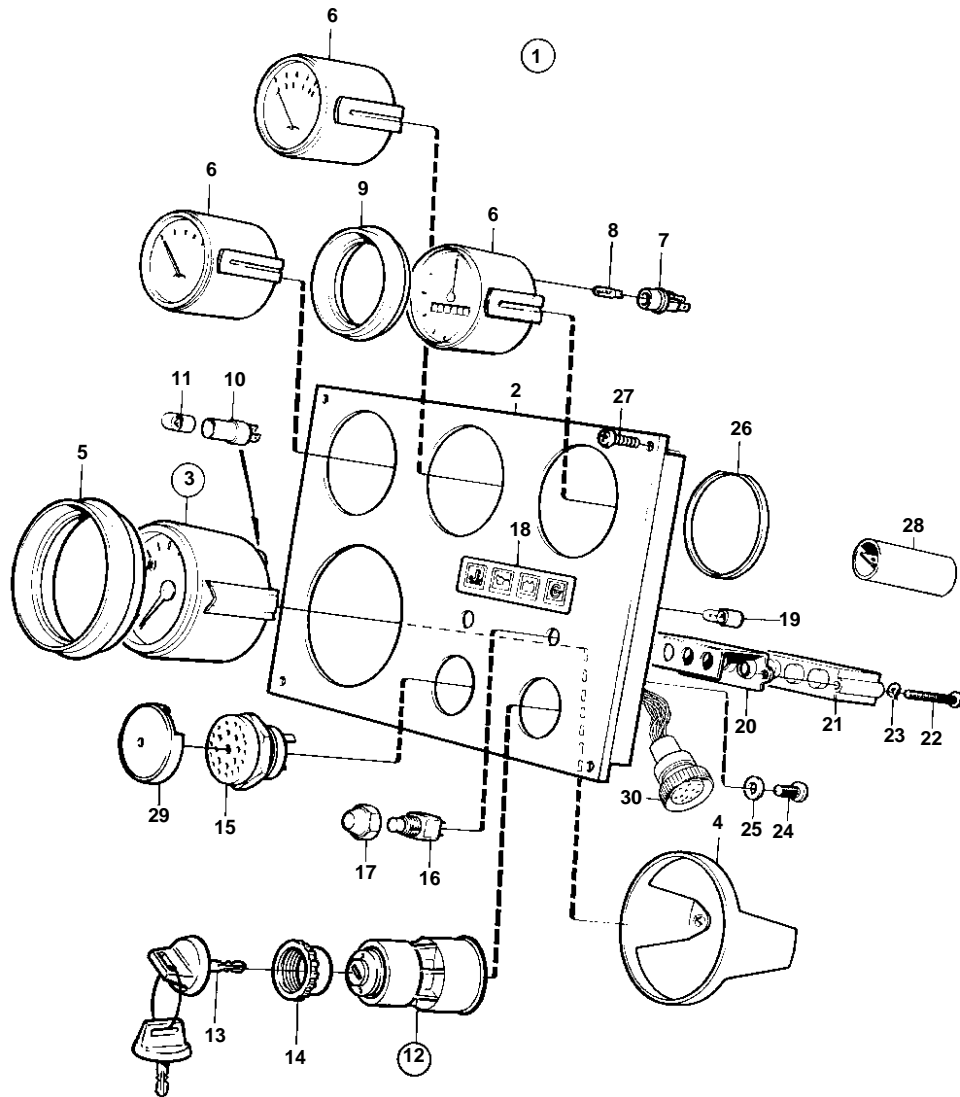


COMMON



9655

## COMMON

| REF | PART NO. | QTY | DESCRIPTION            | SEE SEC. | NOTES          |
|-----|----------|-----|------------------------|----------|----------------|
| 1   | 864044   | 1   | Instrument panel       |          |                |
| 2   | 860182   | 1   | · Instrument panel     |          |                |
| 3   | 864025   | 1   | · Tachometer           |          |                |
| 4   | 849523   | 1   | · · Attaching ring     |          |                |
| 5   | 858644   | 1   | · Front ring           |          |                |
| 6   | 863932   | 1   | · Thermometer          |          |                |
|     | 863934   | 1   | · Oil pressure gauge   |          |                |
|     | 863930   | 1   | · Voltmeter            |          |                |
| 7   | 863945   | 3   | · Bulb socket          |          |                |
| 8   | 863946   | 3   | · · Bulb               |          |                |
| 9   | 858643   | 3   | · Front ring           |          |                |
| 10  | 808175   | 1   | · Bulb socket          |          |                |
| 11  | 19923    | 1   | · Bulb                 |          |                |
| 12  | 860149   | 1   | · Starter switch       |          |                |
| 13  | 859953   | 2   | · · Key                |          |                |
|     |          |     | · · Bulletin 49-30     | 49-30-EN | Key P/N 859953 |
| 14  | 859955   | 1   | · · Plastic nut        |          |                |
| 15  | 828587   | 1   | · Buzzer               |          |                |
| 16  | 828584   | 1   | · Switch               |          | ALARM TEST     |
|     | 828585   | 1   | · Switch               |          | INSTR. LIGHT   |
| 17  | 828586   | 2   | · Nut                  |          |                |
| 18  | 858645   | 1   | · Symbol strip         |          |                |
| 19  | 19923    | 4   | · Bulb                 |          |                |
| 20  | 828784   | 1   | · Reflector            |          |                |
| 21  | 873737   | 1   | · Electronic unit      |          |                |
| 22  | 941615   | 2   | · Screw                |          |                |
| 23  | 941904   | 2   | · Spring washer        |          |                |
| 24  | 949947   | 1   | · Screw                |          |                |
| 25  | 941904   | 1   | · Spring washer        |          |                |
| 26  | 828803   | 3   | · Ring                 |          |                |
| 27  | 828647   | 4   | · Screw                |          |                |
| 28  | 1624394  | 3   | · Diode                |          |                |
| 29  | 858795   | 1   | · Protecting casing    |          |                |
| 30  |          | X   | · Cables and terminals |          |                |