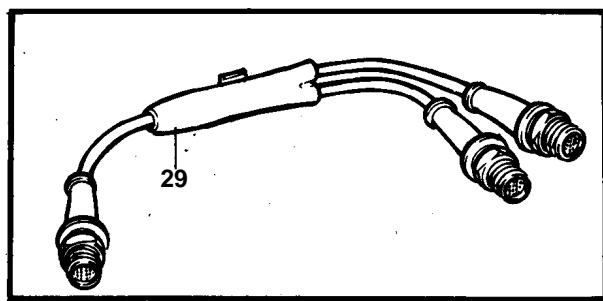
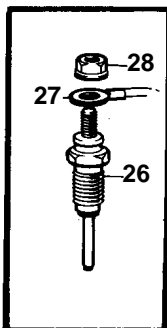
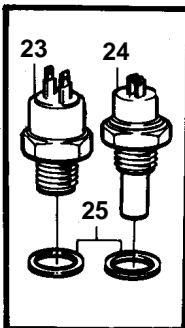
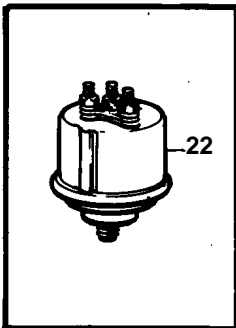
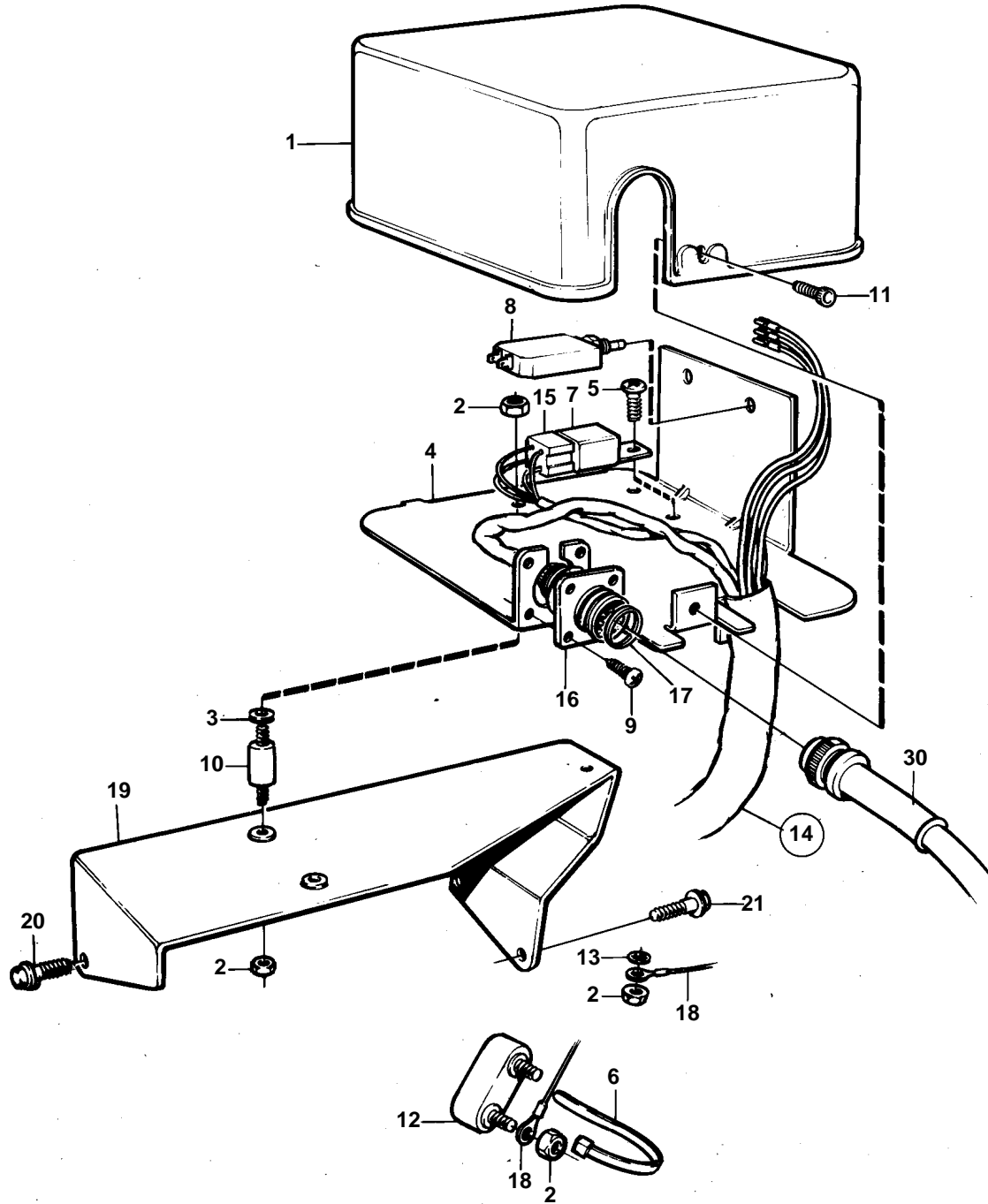


COMMON



## COMMON

REF	PART NO.	QTY	DESCRIPTION	SEE SEC.	NOTES
1	838808	1	Cover		
2	946035	8	Lock nut		
3	944563	3	Spacer washer		
4	860366	1	Bracket		
5	956074	3	Screw		
6	948211	X	Strip clamp		
7	841177	1	Relay		12V 40A
	860339	2	Relay		12V 50A
8	966689	2	Fuse		
9	955119	4	Screw		
10	859600	3	Rubber cushion		
11	846736	1	Lock screw		
12	856355	1	Fuse		
13	942605	1	Lock washer		
14	860443	1	Wiring harness		
15	1214948	1	· Receptacle housing		
16	846611	1	· Sleeve connector		
17	846615	1	· Sealing ring		
18		X	· Electrical materials	1963	
19	859872	1	Bracket		
20	946752	1	Flange screw		
21	946173	1	Flange screw		L=20mm
	973083	1	Flange screw		L=25mm
22	860011	1	Pressure sensor, oil		0,8 bar
23	859869	1	Thermo monitor		
24	861594	1	Sender		(859870)
25	969011	2	Gasket		
26	859854	4	Glow plug		
27	859855	1	Cable		
28	965483	4	Nut		
29	1140598	1	Y-koppling		For double steering positions.
30	846648	1	Extension cable		L=3,0m
	846649	1	Extension cable		L=5,0m
	846650	1	Extension cable		L=7,0m