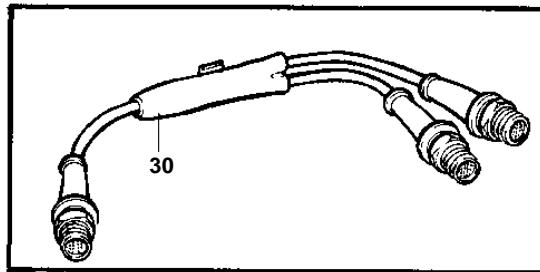
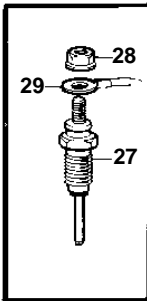
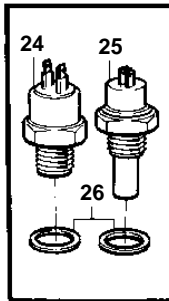
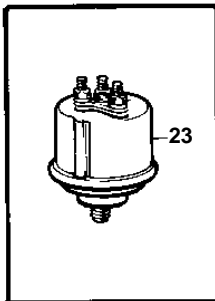
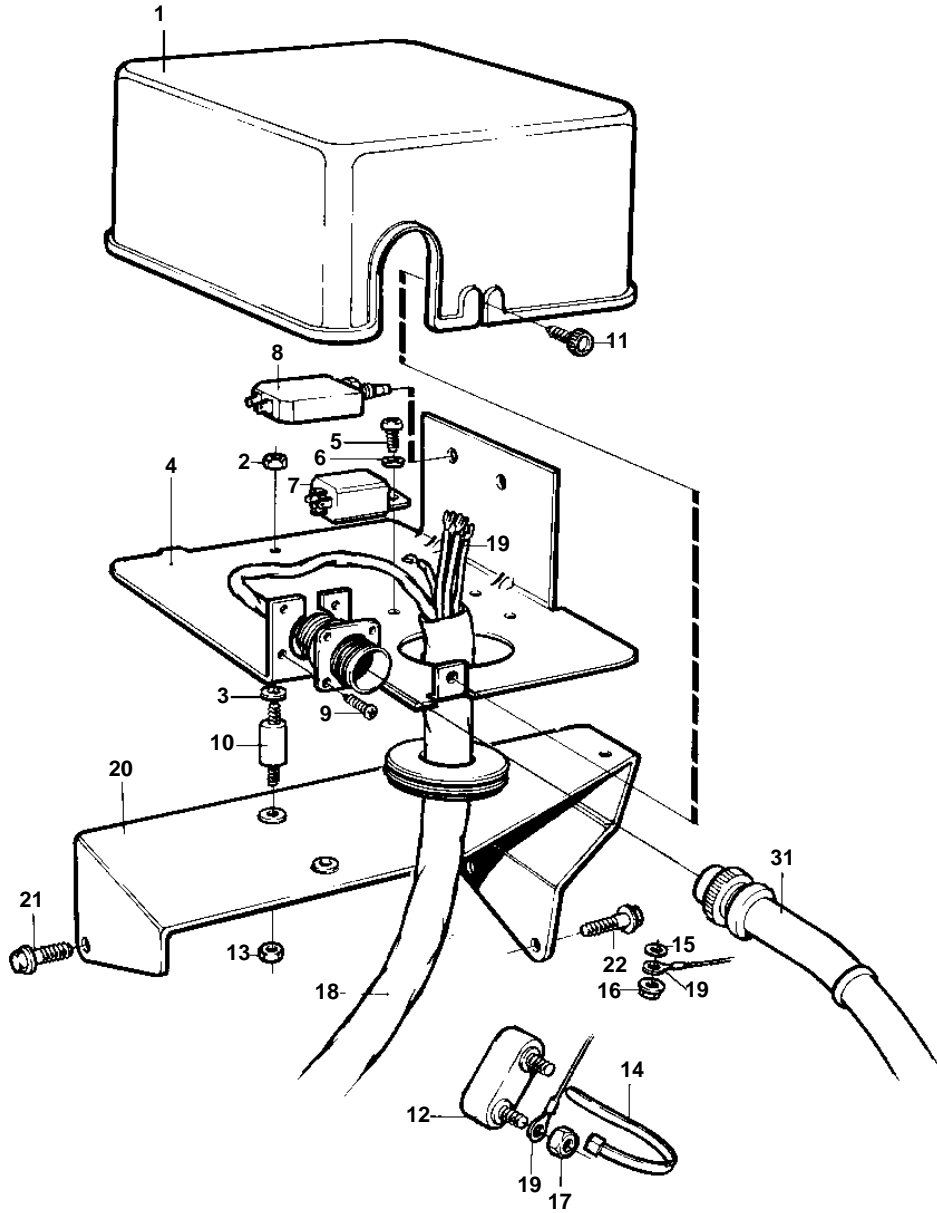


MD22A



15103

## MD22A

REF	PART NO.	QTY	DESCRIPTION	SEE SEC.	NOTES
1	838808	1	Cover		
2	946035	3	Lock nut		
3	944563	3	Spacer washer		
4	860366	1	Bracket		(838852)
5	956074	2	Screw		M5
	956090	1	Screw		M6
6	940090	1	Washer		EARLY TYPE
7	841177	1	Relay		12V 40A
	860339	2	Relay		12V 50A (846762)
8	966689	2	Fuse		
9	955119	4	Screw		
10	859600	3	Rubber cushion		
11	846736	1	Lock screw		
12	856355	1	Fuse		(853502)
13	946035	2	Lock nut		
14	948211	X	Strip clamp		
15	942605	1	Lock washer		
16	946035	1	Lock nut		
17	946035	2	Lock nut		
18	860443	1	Wiring harness		(859561)
19		X	· Electrical materials	1963	
20	859872	1	Bracket		
21	946752	1	Flange screw		
22	946173	1	Flange screw		L=20mm
	973083	1	Flange screw		L=25mm
23	860011	1	Pressure sensor, oil		0,8 bar
24	859869	1	Thermo monitor		
25	861594	1	Sender, coolant water temp.		(859870)
26	969011	2	Gasket		
27	859854	4	Glow plug		
28	965483	4	Nut		
29	859855	3	Cable		
30	1140598	X	Y-koppling		For double steering positions.
31	846648	X	Extension cable		L=3,0m
	846649	X	Extension cable		L=5,0m
	846650	X	Extension cable		L=7,0m