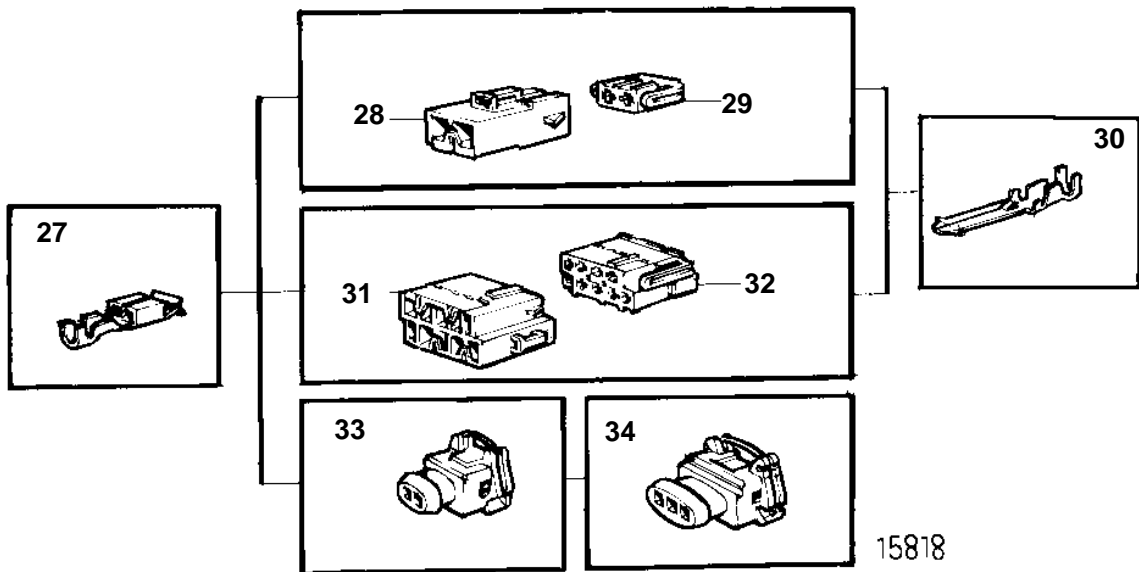
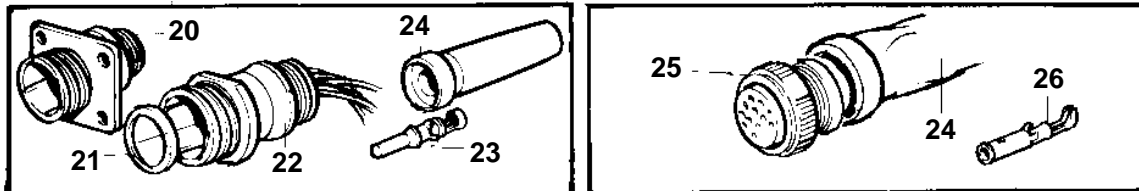
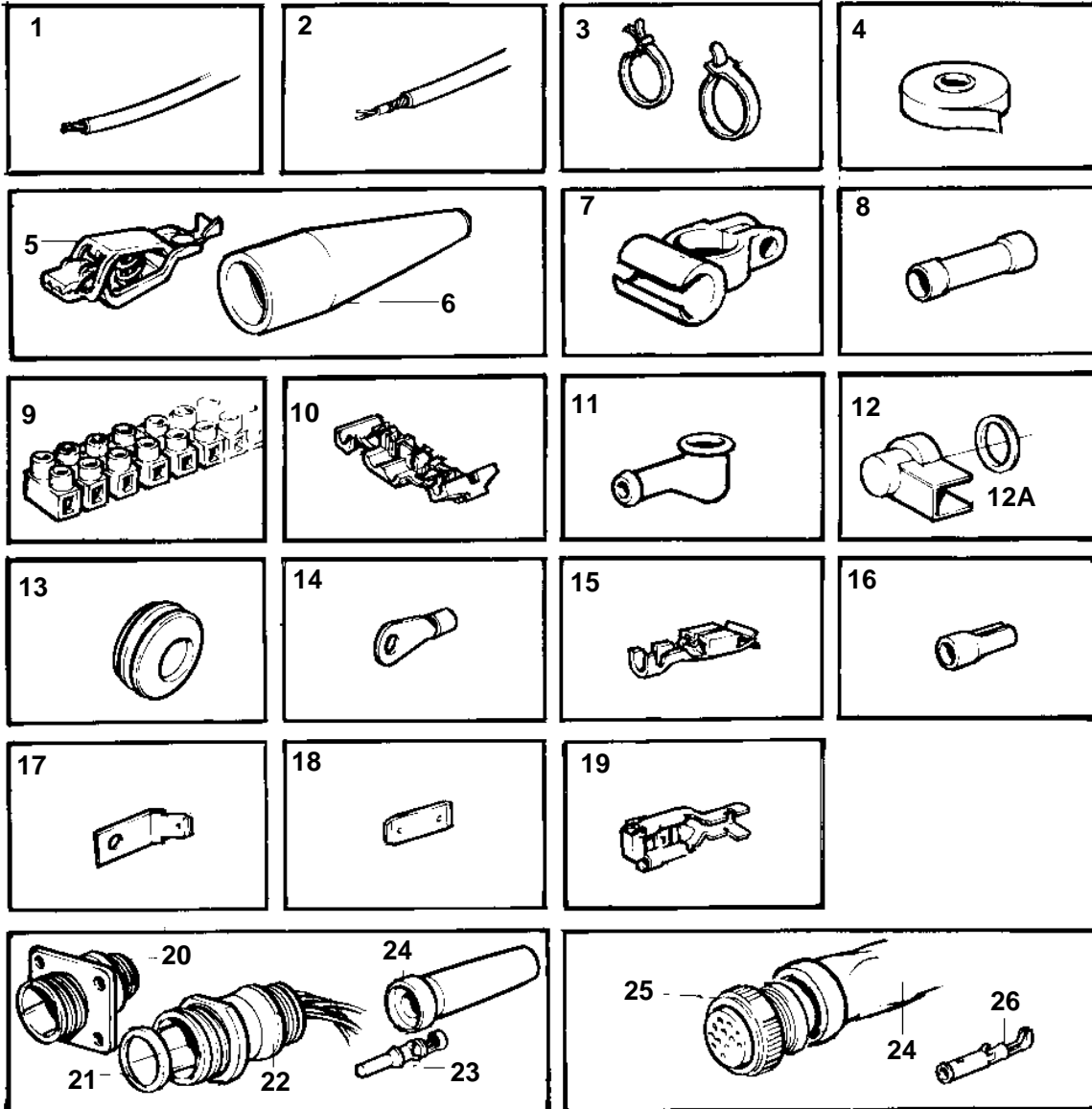


COMMON



15818

COMMON

REF	PART NO.	DESCRIPTION	NOTES
1	954443	Cable, type RK	1,5sq.mm, BLACK
	954445	Cable, type RK	1,5sq.mm, RED
	970661	Cable, type R2	2,5sq.mm, BLACK
	970663	Cable, type R2	2,5sq.mm, RED
	970698	Cable, type R2	4,0sq.mm, BLACK
	954461	Cable, type RK	4,0sq.mm, RED
	954467	Cable, type RK	6,0sq.mm, BLACK
	970711	Cable, type R2	6,0sq.mm, RED
	954485	Cable, type RK	16,0sq.mm, RED
	954500	Cable, type RK	25,0sq.mm, RED
	954502	Cable, type RK	35,0sq.mm, RED
2	862989	Cable	2x1,5sq.mm. Non reinforced ship cable approved by classification societies.
	863657	Cable	2x1,5sq.mm. Reinforced ship cable approved by classification societies.
	842091	Cable	2x2,5sq.mm. Non reinforced ship cable approved by classification societies.
	842092	Cable	3x1,5sq.mm. Non reinforced ship cable approved by classification societies.
	862990	Cable	3x4,0sq.mm. Non reinforced ship cable approved by classification societies.
		Cable	3x6,0sq.mm. Non reinforced ship cable approved by classification societies.
	846273	Cable	4x1,5sq.mm. Non reinforced ship cable approved by classification societies.
	844578	Cable	4x2,5sq.mm. Non reinforced ship cable approved by classification societies.
	846639	Cable	16x1,5sq.mm. Non reinforced ship cable approved by classification societies.
	862991	Cable	19x1,5sq.mm. Non reinforced ship cable approved by classification societies.
	846346	Cable	2x16,0+2x1,5sq.mm. Replaced by cable harness 872679 and adapter 872939.
3	948211	Strip clamp	D=77mm L=280mm
	949666	Strip clamp, with mount. hole	D=42mm L=170mm
	949668	Strip clamp	D=90mm L=340mm
	862832	Strip clamp, steel	D=102mm L=362mm
4	858283	Electrical tape	
5	844280	Cable terminal, battery cable +pole	L=61mm
6		Isolator	BLACK
		Isolator	RED
7	954505	Cable terminal, battery cable -pole	70-90sq.mm
	954506	Cable terminal, battery cable +pole	70-90sq.mm
8	956956	Splice	0,5-1,0sq.mm, RED
	956958	Splice	1,5-2,5sq.mm, BLUE
	956960	Splice	3-6sq.mm, YELLOW
9	926219	Coupling piece	MAX 20sq.mm, 12-POLE
10	944306	Clamp	BLUE
11	829200	Protective cap	D=16mm D=6mm
12	1234326	Protective cap	
12A	960140	Washer	D=18mm, I.D=6,7mm
13	941269	Cable grommet	I.D=25mm
	821053	Rubber bushing	I.D=35mm
	943920	Protecting plug	I.D=40mm
14	881492	Cable terminal	M4x1,1-2,5sq.mm
	881493	Cable terminal	M5x1,1-2,5sq.mm
	881508	Cable terminal	M6x1,1-2,5sq.mm
	881494	Cable terminal	M8x1,1-2,5sq.mm
	881504	Cable terminal	M10x1,1-2,5sq.mm
	881506	Cable terminal	M4x2,6-6,0sq.mm
	881495	Cable terminal	M5x2,6-6,0sq.mm
	881496	Cable terminal	M6x2,6-6,0sq.mm
	881497	Cable terminal	M8x2,6-6,0sq.mm
	881498	Cable terminal	M10x2,6-6,0sq.mm
	940331	Cable terminal	M5x6,1-10,0sq.mm
	940332	Cable terminal	M6x6,1-10,0sq.mm
	940333	Cable terminal	M8x6,1-10,0sq.mm
		Cable terminal	M10x6,1-10,0sq.mm
	881512	Cable terminal	M5x10,1-16,0sq.mm

COMMON

REF	PART NO.	DESCRIPTION	NOTES
14	940335	Cable terminal	M6x10,1-16,0sq.mm
	940336	Cable terminal	M8x10,1-16,0sq.mm
	940337	Cable terminal	M10x10,1-16,0sq.mm
	865758	Cable terminal	I.D=12,5 D=23mm
15	853015	Cable terminal	FOR 853866, YASAKI. For trim instrument.
16	942429	Cable terminal	1,1-2,5sq.mm
17	944485	Spade terminal	6,3xM5x180
18	839328	Spade terminal	16,3x6,3x0,8
19	881491	Cable terminal	6,3x0,75-2,1sq.mm
20	846611	Sleeve connector	16-POLE
21	846615	Sealing ring	
22	846647	Pin connector	16-POLE
23	849958	Cable terminal	1,6x0,5-1,5sq.mm
24	847005	Sealing collar	L=100mm D=20mm
25	846612	Sleeve connector	16-POLE
26	849959	Cable terminal	1,6x0,5-1,5sq.mm
27	970777	Cable terminal	4,8/2,8x1,1-2,5sq.mm
28	968377	Housing	2,8x2 NATURAL
	968379	Housing	2,8x2 GRAY
29	968376	Housing	4,8/2,8x2 NATURAL
	968378	Housing	4,8/2,8x2 GRAY
30	974313	Cable terminal	2,8x0,8x1,1-2,5sq.mm
31	968401	Housing	2,8x8 NATURAL
32	968400	Housing	4,8/2,8x8 NATURAL
33	967712	Housing	3 PIPES
34	967713	Housing	2-POLE