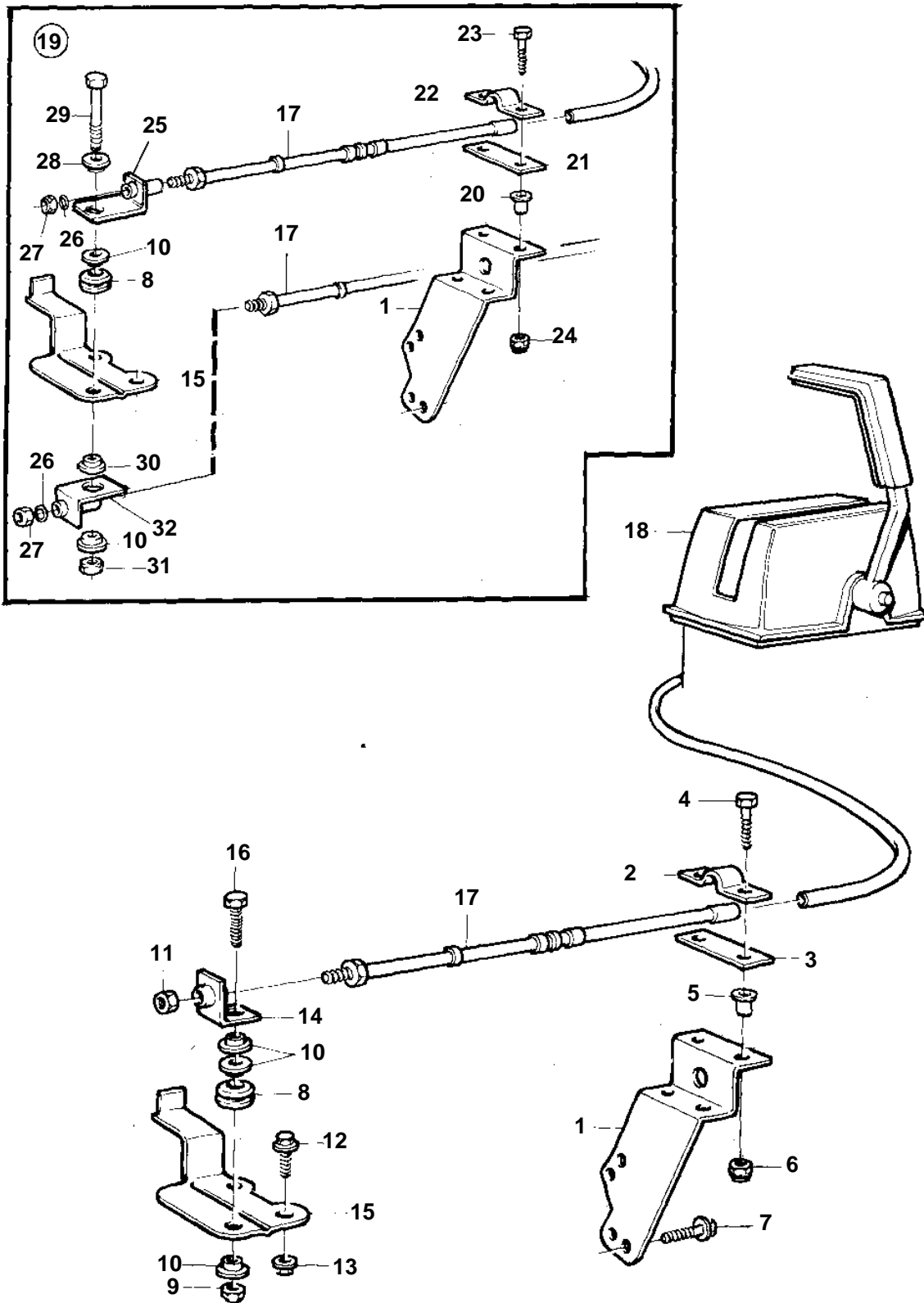


COMMON



16584

COMMON

REF	PART NO.	QTY	DESCRIPTION	SEE SEC.	NOTES
1	3580724	1	Bracket		MD22L-A, MD22A TMD22A
	859859	1	Bracket		
2	819067	1	Brace		
3	819068	1	Washer		
4	955249	2	Screw		
5	843108	2	Bushing		
6	946577	2	Lock nut		
7	945358	2	Flange screw		L=10mm, SN-5100603052
	946544	2	Flange screw		L=16mm, SN5100603053-
8	843109	1	Bushing		
9	946035	1	Lock nut		
10	843105	3	Spacer washer		
11	951674	1	Lock nut		
12	965199	1	Screw		
13	965483	1	Nut		
14	843107	1	Anchorage		
15	859974	1	Lever		
16	955274	1	Screw		
17		X	Control cable	231	
18		X	Control		
19	3581042	1	Ds unit		For double steering positions.
20	843108	2	• Bushing		
21	819068	1	• Washer		
22	819067	1	• Brace		
23	955249	2	• Screw		
24	946577	2	• Lock nut		
25	861215	1	• Bracket		
26	955971	2	• O-ring		
27	951674	2	• Lock nut		
28	843105	1	• Spacer washer		
29	955275	1	• Screw		
30	843105	1	• Spacer washer		
31	946035	1	• Lock nut		
32	861214	1	• Bracket		