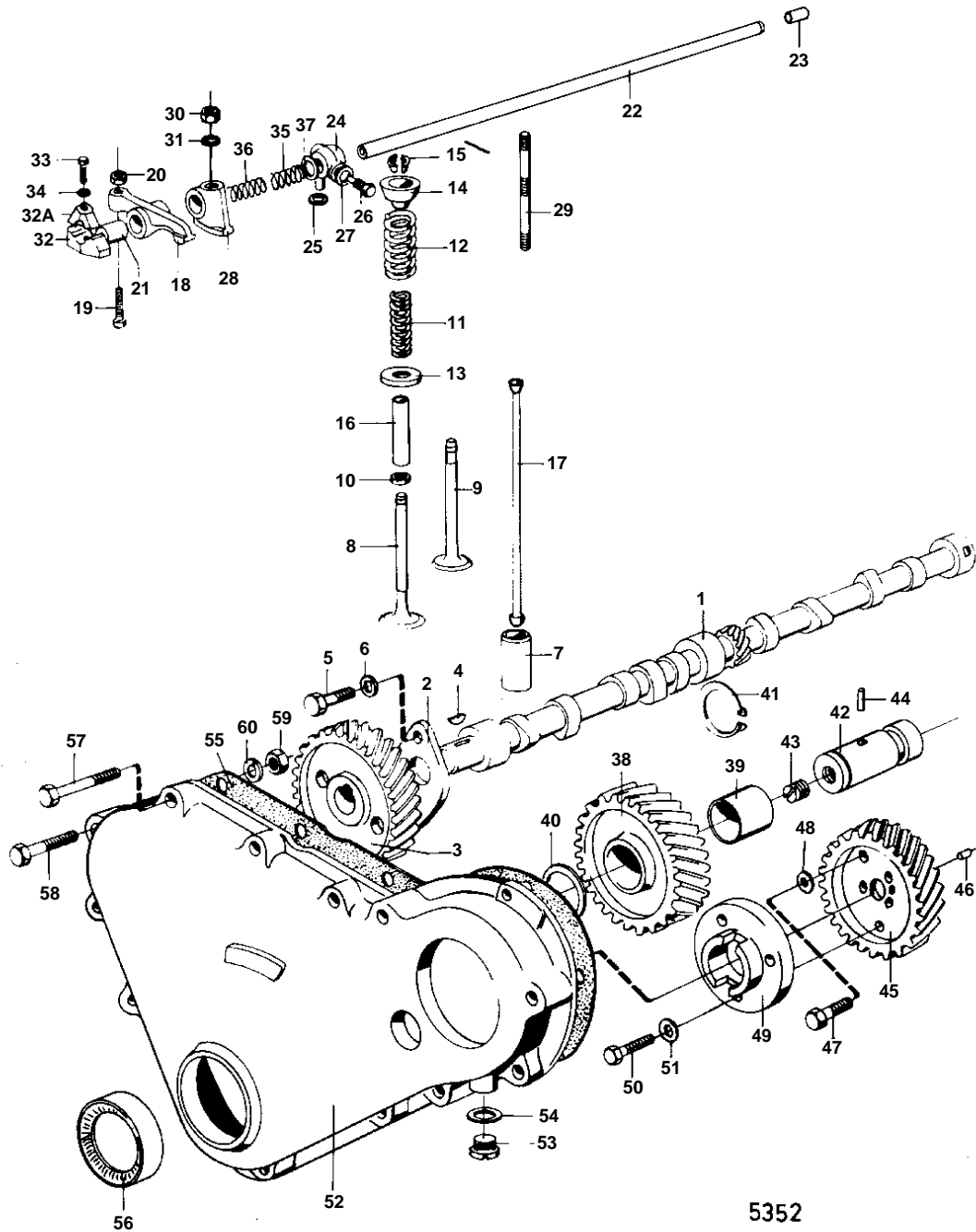


MD21B,AQD21B,MD21B/110S



MD21B,AQD21B,MD21B/110S

REF	PART NO.	QTY	DESCRIPTION	SEE SEC.	NOTES
1	829838	1	Camshaft		
2	818210	1	· Bearing flange		
3	818032	1	· Gear		
4	818223	1	· Key		
5	955295	2	Screw		
6	941907	2	Spring washer		
7	818248	8	Tappet		
8	826781	4	Inlet valve		
9	826782	4	Exhaust valve		
10	818061	8	Gasket		
11	826783	8	Spring		
12	826784	8	Spring		
13	818064	8	Washer		
14	826785	8	Washer		
15	3848256	16	Valve collet		
16			VALVE GUIDE	02A-1100	
17	818077	8	Push rod		
18	826787	8	Local part		MO-3130871/216681.. REPLACED BY 4EA 840754 ROCKER ARM(RIGHT) + 4EA 840753 ROCKER ARM(LEFT) MO 3130872/216682-
19	818070	8	· Screw		
20	818071	8	· Nut		
21	829044	8	· Bushing		
22	826855	1	Rocker arm shaft		REPL BY 840755. MO-3130871/216681.
	840755	1	Rocker arm shaft		MO 3130872/216682-.
23	826520	2	· Plug		
24	818290	1	Oil distributor		
25	818069	1	Gasket	IK	
26	818209	1	Screw		
27	190990	1	Gasket	IK	
28	829222	4	Bearing bracket		
29	818202	4	Stud		
30	826521	4	Nut		
31	941908	4	Spring washer		
32	829328	2	Bearing cap		
32A	829329	2	Support		
33	955301	2	Screw		
34	941907	2	Spring washer		
35	818285	2	Spring		
36	818284	2	Spring		
37	826795	1	Washer		
38	818031	1	Gear		
39	818218	1	· Bushing		
40	818219	1	Washer		
41	942817	1	Snap ring		
42	818227	1	Shaft	02A-0275	
43	818491	1	Plug	02A-0275	
44	818492	1	Pin	02A-0275	
45	829305	1	Gear		
46	826589	1	Locating pin		
47	826576	3	Screw		
48	941907	3	Spring washer		
49	829065	1	Companion flange		MO-XXXX/103386
	829277	1	Companion flange		MOXXXX/103387-
50	955294	3	Screw		MO-XXXX/103386
	959219	3	Screw		MOXXXX/103387-
51	941907	3	Spring washer		
52		1	TIMING GEAR COVER		REPLACED BY 1EA 829493, 1EA 833521, 1EA 957181.
					MO-XXXX/103386
	829493	1	Cover		MOXXXX/103387-
53	190798	1	Plug		MO-XXXX/103386
		1	REV. COUNTER SENDER		MOXXXX/103387-
					SEE GROUP 3

MD21B,AQD21B,MD21B/110S

REF	PART NO.	QTY	DESCRIPTION		SEE SEC.	NOTES
54	957182	1	Washer			MO-XXXX/103386
		1	O-RING			MOXXXX/103387-
						SEE GROUP 3
55	818242	1	Gasket	IK		
56	818034	1	Gasket	IK		
57	947422	5	Screw			L = 50 MM
58	946481	2	Screw			L = 45 MM
59	818071	6	Nut			
60	826845	11	Washer			