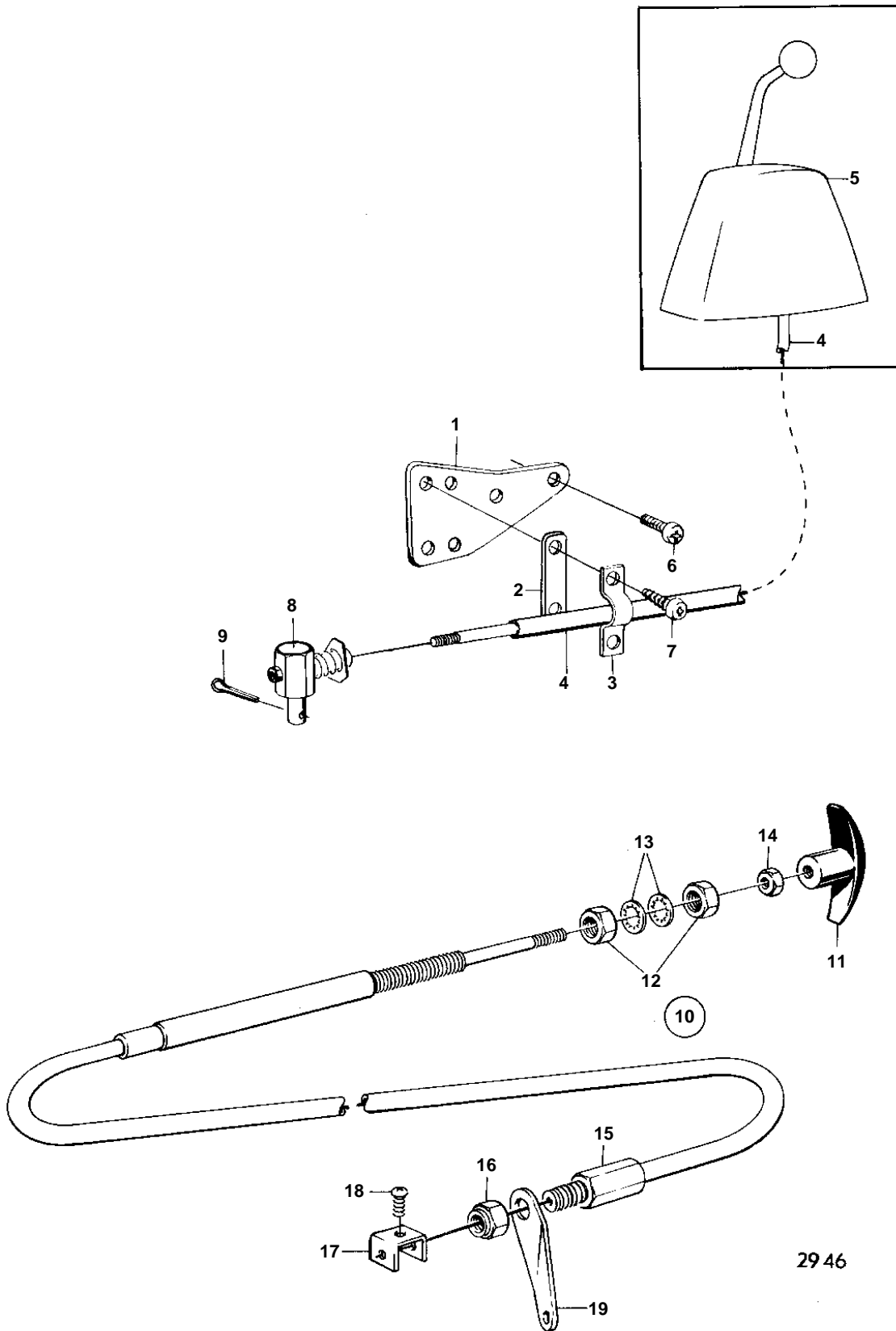


MD21B,AQD21B,MD21B/110S



MD21B,AQD21B,MD21B/110S

REF	PART NO.	QTY	DESCRIPTION	NOTES
1	829242	1	Bracket	
	840533	1	Bracket	MO 201005-
2	819068	1	Washer	
3	819067	1	Brace	
4		X	CONTROL CABLE	SEE GROUP 9
5		X	CONTROL	SEE GROUP 9
6	950021	2	Screw	
7	956076	2	Screw	
8	814078	1	Cube	SEE GROUP 2C. MO-201054.
	841275	1	Cube	SEE GROUP 2C. MO 201055-.
9	17276	1	Cotter pin	SEE GROUP 2C
10	818470	1	Control cable	
11	829241	1	· Handle	
12	955857	2	· Nut	
13	955950	2	· Lock washer	
14	955844	1	· Nut	
15	829070	1	Cable lock	5/16"-18UNC
16	950363	1	Nut	5/16"-18UNC
17	818472	1	Cable clamp	
18	956059	1	Screw	
19	826529	1	Bracket	SEE GROUP 2C