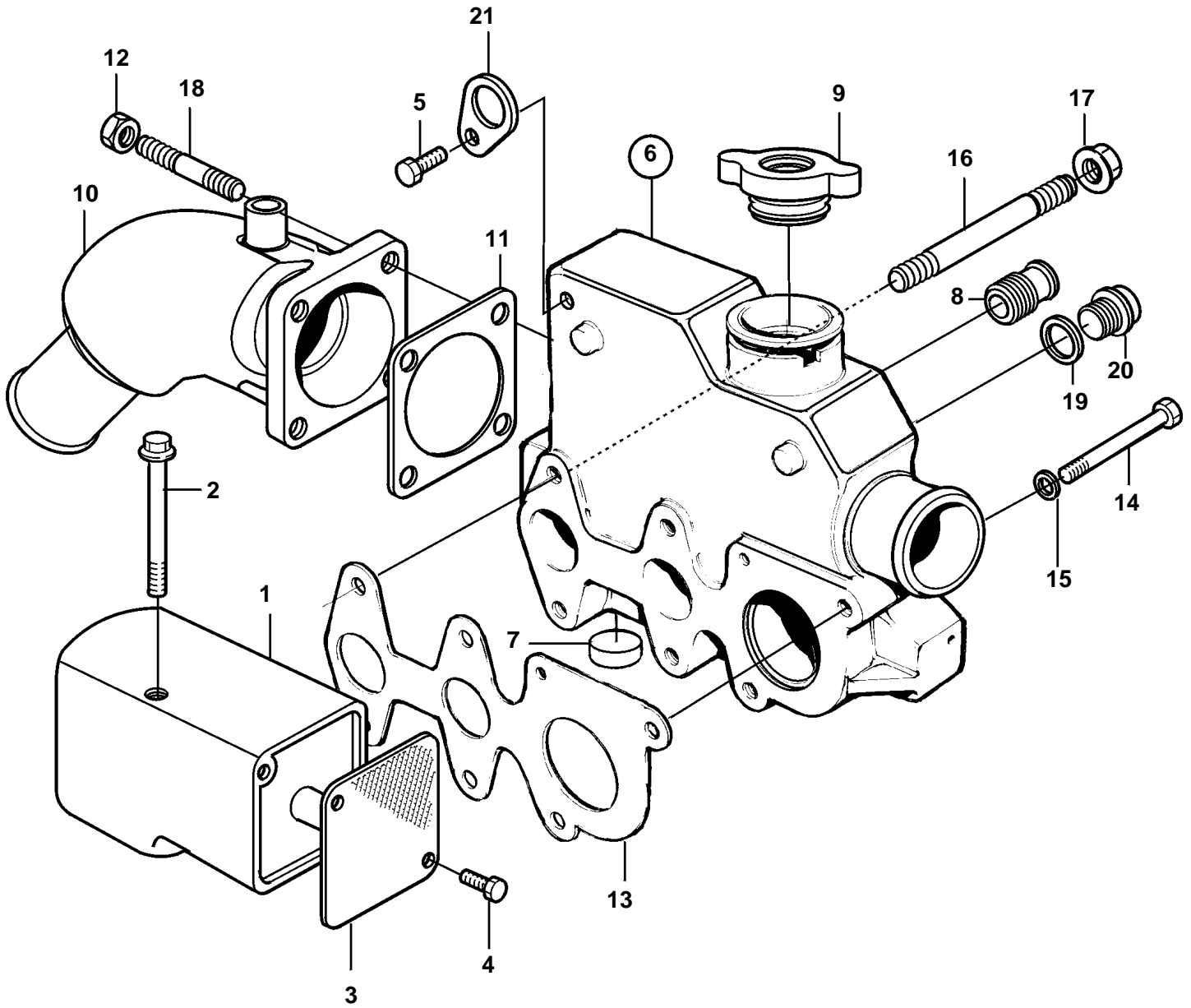


MD2010B



17622

MD2010B

REF	PART NO.	QTY	DESCRIPTION	SEE SEC.	NOTES
1	861898	1	Air inlet		
2	861899	2	Flange screw		
3	861900	1	Retainer		
4	861902	2	Screw		
5	861870	1	Screw		
6	861903	1	Heat exchanger housi		
7	861857	1	· Plug		
8	861904	1	· Tube		
9	861905	1	Cover		
		1	Cover	573	ALT. When separate expansion tank is being used.
10	861906	1	Exhaust riser		
11	861907	1	Gasket		
12	948645	4	Lock nut		
13	861909	1	Gasket		
14	861912	4	Screw		
15	861913	4	Spring washer		
16	861914	2	Stud		
17	945407	2	Flange nut		
18	953042	4	Stud		
19	861917	1	Gasket		
20	861918	1	Plug		
21		1	Lifting eye		