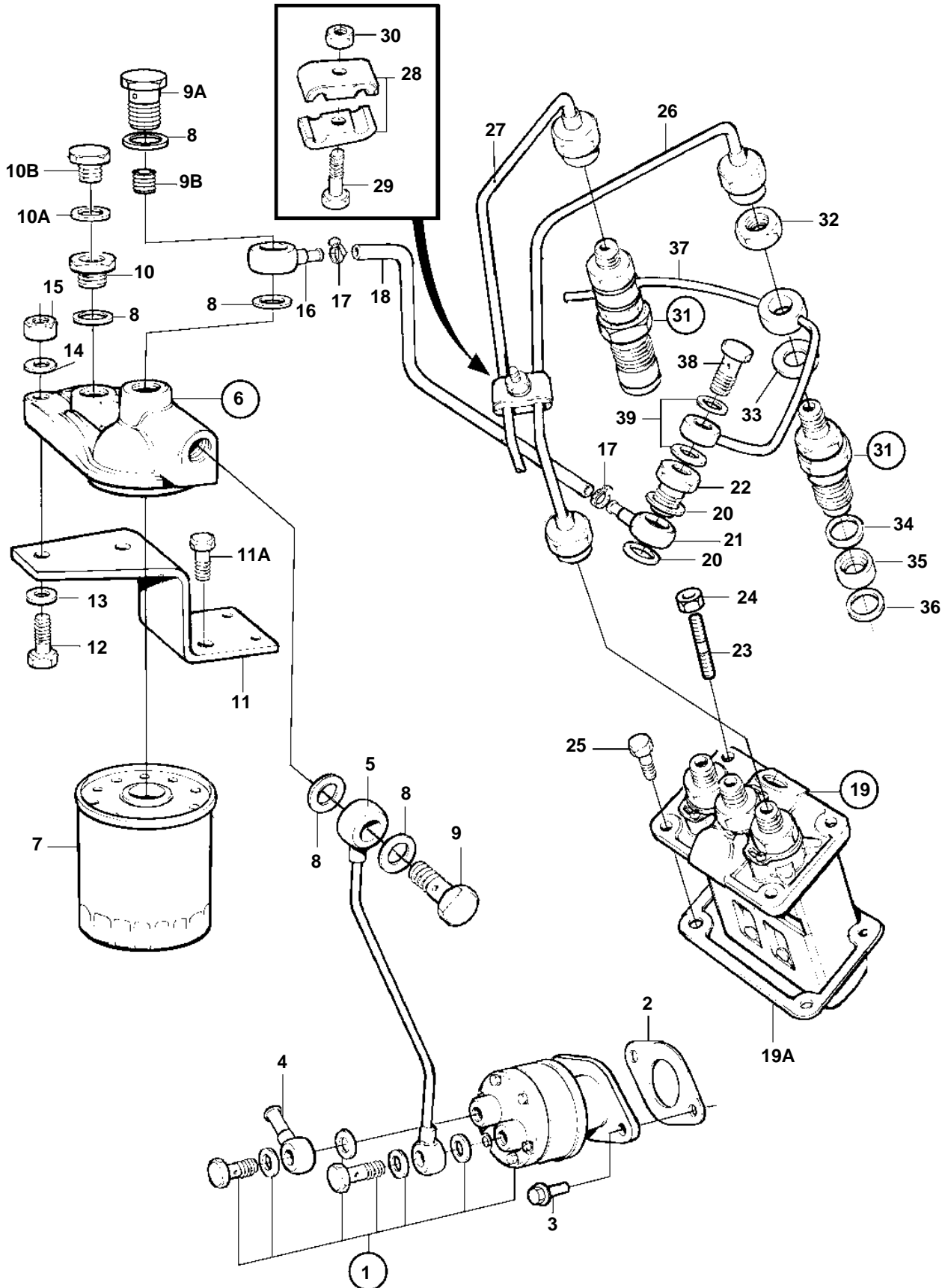


MD2010B



17576

MD2010B

REF	PART NO.	QTY	DESCRIPTION	SEE SEC.	NOTES
1	3580100	1	Feed pump	171	
2	3580111	1	Gasket		
3	3580269	2	Screw		
4	3580107	1	Banjo nipple		
5	3580106	1	Tube		
6	3580095	1	Fuel filter		
7	861477	1	· Filter insert		
8	969011	5	· Gasket		
9	3580098	1	· Hollow screw		
9A	807058	1	· Hollow screw		
9B	807059	1	· Nozzle		
10	837322	1	· Nipple		
10A	11992	1	· Gasket		
10B	471177	1	· Screw		
11	3580102	1	Stay		
11A	3580104	2	Screw		
12	3580109	2	Screw		
13	3580015	2	Spring washer		
14	3580108	2	Washer		
15	971071	2	Nut		
16	3580101	1	Banjo nipple		
17	961663	2	Clamp		
18	3580105	1	Rubber hose		
19	3580068	1	Injection pump	182	
19A	3580069	X	Spacer		TH = 0,2mm
	3580070	X	Spacer		TH = 0,3mm
	3580071	X	Spacer		TH = 0,4mm
	3580072	X	Spacer		TH=0,5mm
20		2	Gasket		Included in fuel injection pump.
21		1	Banjo nipple		Included in fuel injection pump.
22		1	Hollow screw		Included in fuel injection pump.
23		2	Stud		Included in cylinder block.
24	945407	2	Flange nut		
25	3580074	2	Screw		
26	3580080	1	Delivery pipe		CYL NO 1
27	3580081	1	Delivery pipe		CYL NO 2
28	3580082	2	Clamp		
29	3580083	1	Screw		
30	945407	1	Flange nut		
31	3580078	2	Injector		
	3803440	2	Injector, exch	179	Exchange unit
32	3580158	2	Nut		Included in complete fuel injector.
33	3580631	2	Sealing washer		Included in complete fuel injector.
34	3580077	2	Gasket		
35	3580076	2	Insert		
36	3580075	2	Gasket		
37	3580079	1	Return pipe		
38	3580094	1	Hollow screw		
39	11991	2	Seal		