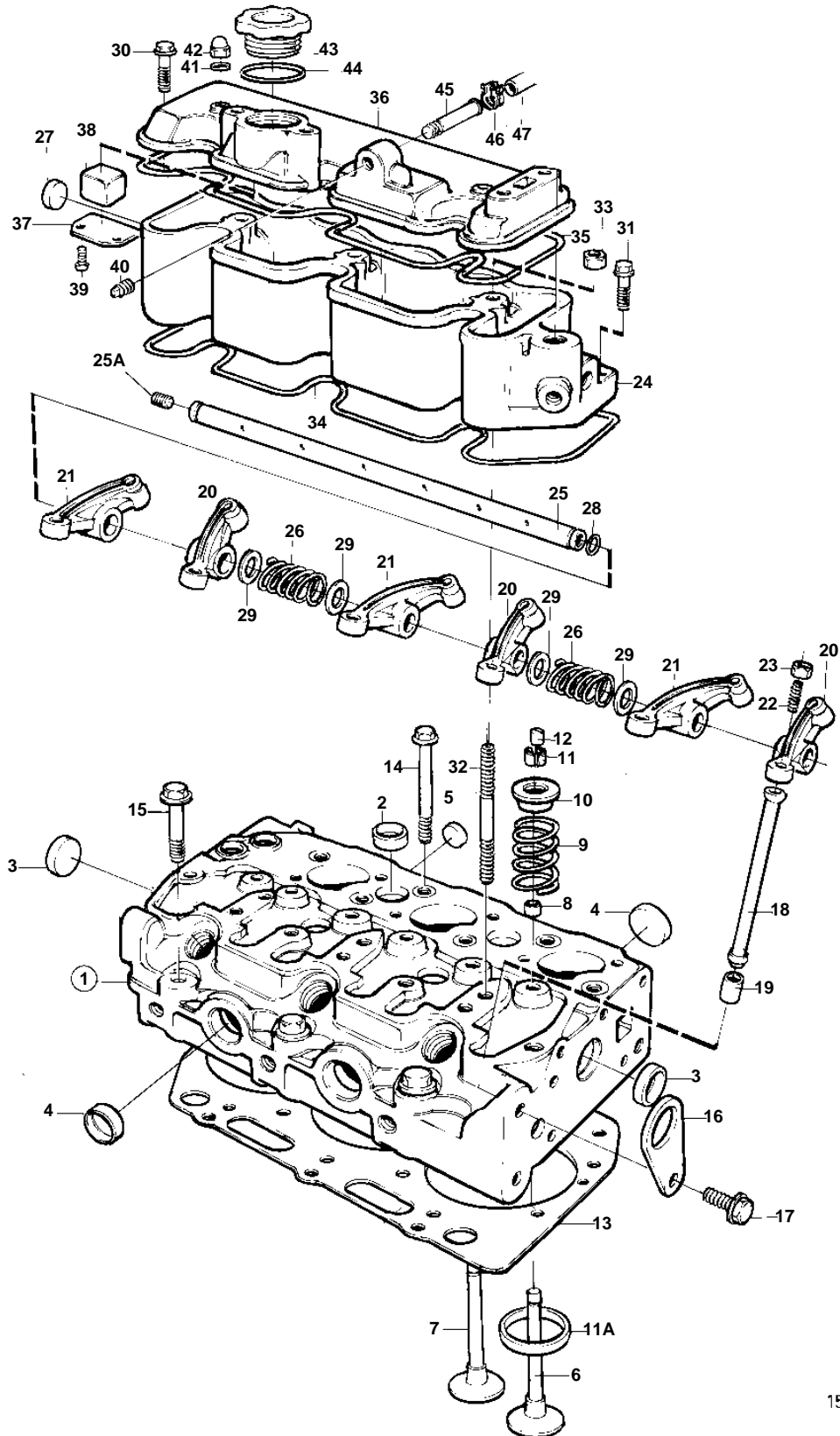


MD2040B



15899

MD2040B

REF	PART NO.	QTY	DESCRIPTION	NOTES
1	3580475	1	Cylinder head	
2	3580476	5	· Plug	
3	3580302	2	· Plug	
4	3580281	4	· Plug	
5	3580477	2	· Plug	
6	3580478	3	· Inlet valve	
7	3580479	3	· Exhaust valve	
8	3580306	3	· Valve stem seal, intake	
	3580305	3	· Valve stem seal, exhaust	
9	3580480	6	· Valve spring	
10	3580307	6	· Valve spring washer	
11	3580308	12	· Valve cone	
11A	3580660	3	· Valve seat, intake	
12	3580481	6	Valve cap	
13	3580482	1	Gasket	TH = 1,4mm
14	3580483	11	Screw	
15	3580484	3	Screw	
16		1	Lifting eye	
17	861870	1	Screw	
18	3580465	6	Push rod	
19	3580464	6	Lifter	
20	3580486	3	Rocker arm	
21	3580487	3	Rocker arm	
22	861877	6	Adjuster screw	
23	861878	6	Nut	
24	3582354	1	Bracket	(3580488)
25	3580489	1	Rocker arm shaft	Replaced by rocker arm shaft 3580733 and screw 3580734.
	3580733	1	Rocker arm shaft	
25A	3580734	1	Screw	
26	3580490	2	Spring	
27	861801	1	Plug	
28	861997	1	O-ring	
29	3580491	4	Shim	
30	3580258	1	Screw	
31	3580492	1	Screw	
32	3580493	3	Stud	
33	3580088	3	Nut	
34	3580495	1	Gasket	
35	3580496	1	Gasket	
36	3580497	1	Valve cover	
37		1	· Retainer	
38	3580320	1	· Filter	
39	967949	2	· Screw	
40		1	· Plug	
41	3580499	3	Gasket	
42	3580241	3	Nut	
43	861896	1	Oil filler cap	
44	861897	1	O-ring	
45	3580502	1	Hose connection	
46	961662	1	Clamp	
47	3580505	1	Hose	