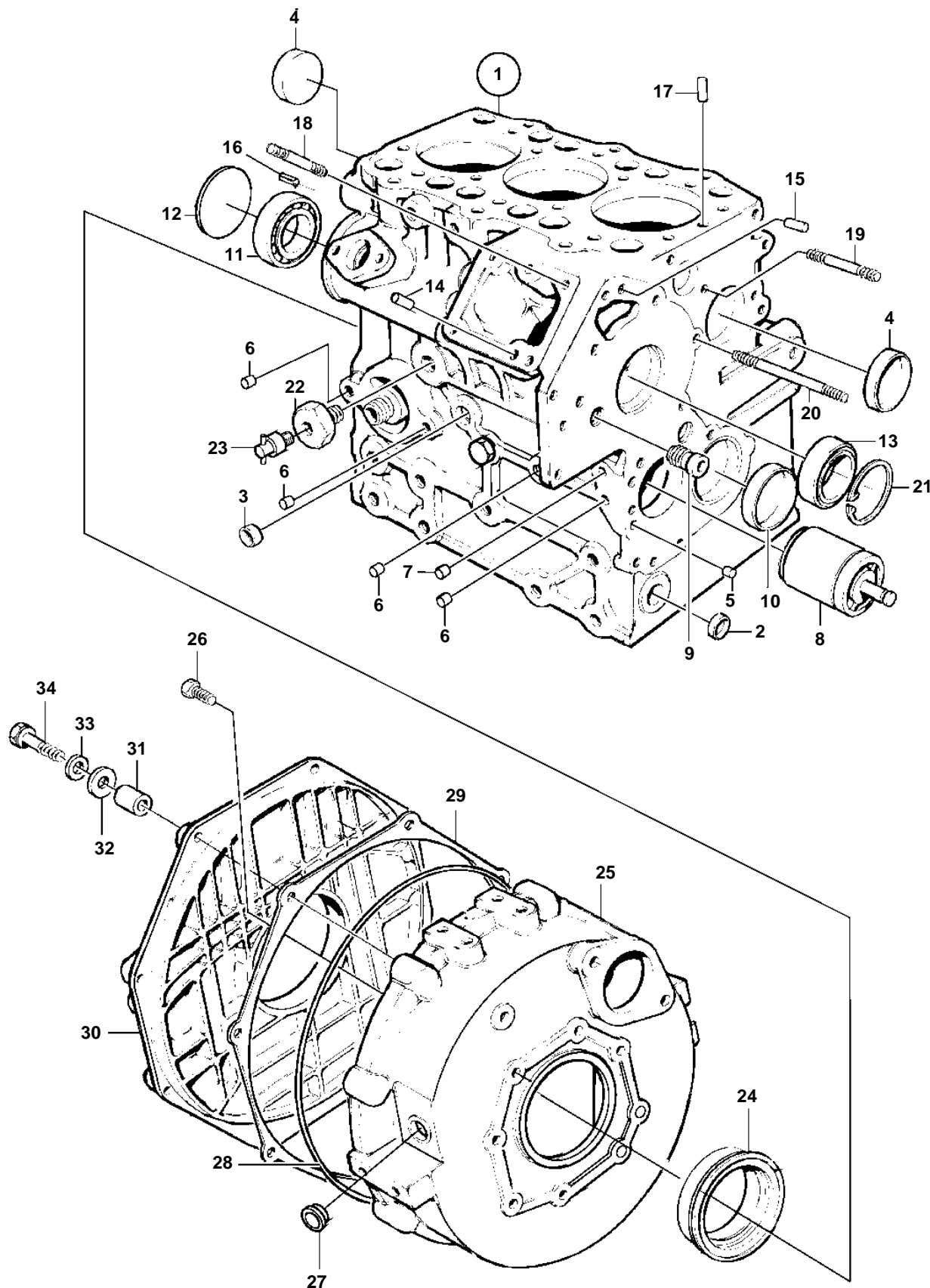


MD2030B



17524

MD2030B

REF	PART NO.	QTY	DESCRIPTION	NOTES
1	3580273	1	Cylinder block	REPL BY 3582307
	3582307	1	Cylinder block	
2	861801	1	· Plug	
3	3580281	1	· Plug	
4	3580282	2	· Plug	
5	861805	1	· Plug	D=5mm
6	3580456	4	· Plug	D=7mm (861804)
7	861806	4	· Plug	D=9mm
8	3580283	1	· Shaft	
9		1	· Bushing	
10	3580284	1	· Main bearing	STD D
	3580285	1	· Main bearing	O.S=0,25mm
	3580286	1	· Main bearing	O.S=0,50mm
11	861812	1	· Bearing	
12	861813	1	· Expansion plug	
13	861814	1	· Bearing	
14		2	· Pin	
15		2	· Pin	
16		2	· Pin	
17	861818	2	· Spring pin	
18	861819	2	· Stud	
19	3580225	1	· Stud	
20	861821	1	· Stud	
21	3580226	1	Lock ring	
22	3580290	1	Fitting	
23	861824	1	Tap	
24	861823	1	Sealing ring	
25	3580294	1	Flywheel housing	
26	946471	8	Screw	
27	861848	2	Plug	
28	861647	1	Ring	
29	861636	1	Gasket	
30	861633	1	Flywheel housing	
31	861635	1	Insulating bushing	
32	861634	8	Insulating washer	
33	945583	8	Washer	
34	946470	8	Flange screw	