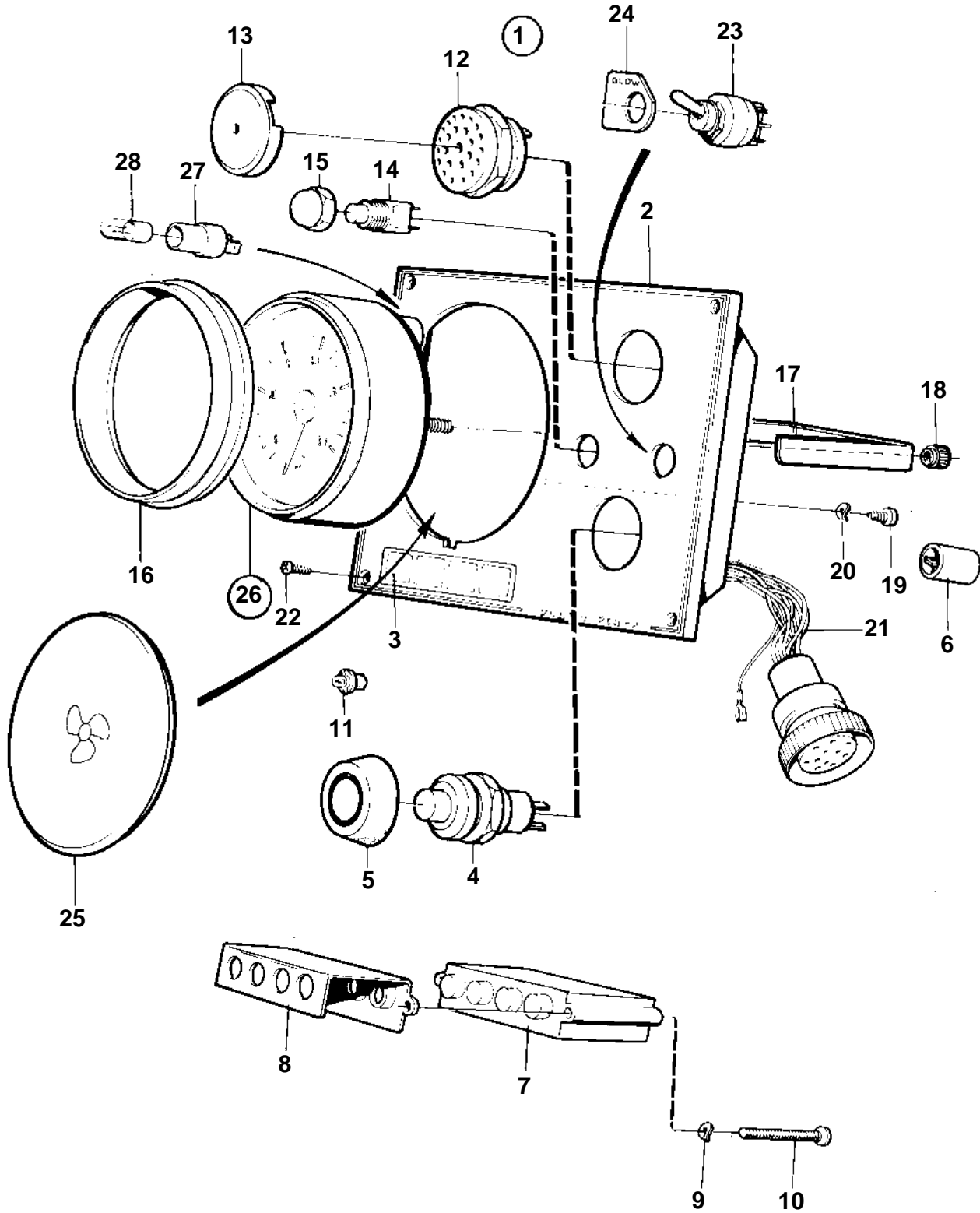


MD2010B, MD2020B, MD2030B, MD2040B



15874

MD2010B, MD2020B, MD2030B, MD2040B

REF	PART NO.	QTY	DESCRIPTION	NOTES
1	873594	1	Instrument panel	
2	872798	1	• Instrument panel	
3	858645	1	• Symbol strip	
4	843684	1	• Button	
5	837533	1	• Rubber cap	
6	1624394	1	• Diode	State key code when ordering.
7	873737	1	• Electronic unit	
8	828784	1	• Reflector	
9	941904	2	• Spring washer	
10	941615	2	• Screw	
11	19923	4	• Bulb	12V
12	828587	1	• Buzzer	
13	858795	1	• Protecting casing	
14	828585	1	• Switch	INSTR. LIGHT
15	828586	1	• Nut	
16	873517	1	• Front ring	
17	873208	1	• Retainer	
18		2	• • Nut	
19	949947	1	• Screw	
20	941904	1	• Spring washer	
21	873560	1	• Cable kit	
22	828647	4	• Screw	
23	872800	1	• Switch	
24	872771	1	• Decal	
25	858648	1	Plastic plug	ALT
26	873992	1	Rev counter kit	4600 RPM
27	863945	1	• Bulb socket	
28	863946	1	• Bulb	12V