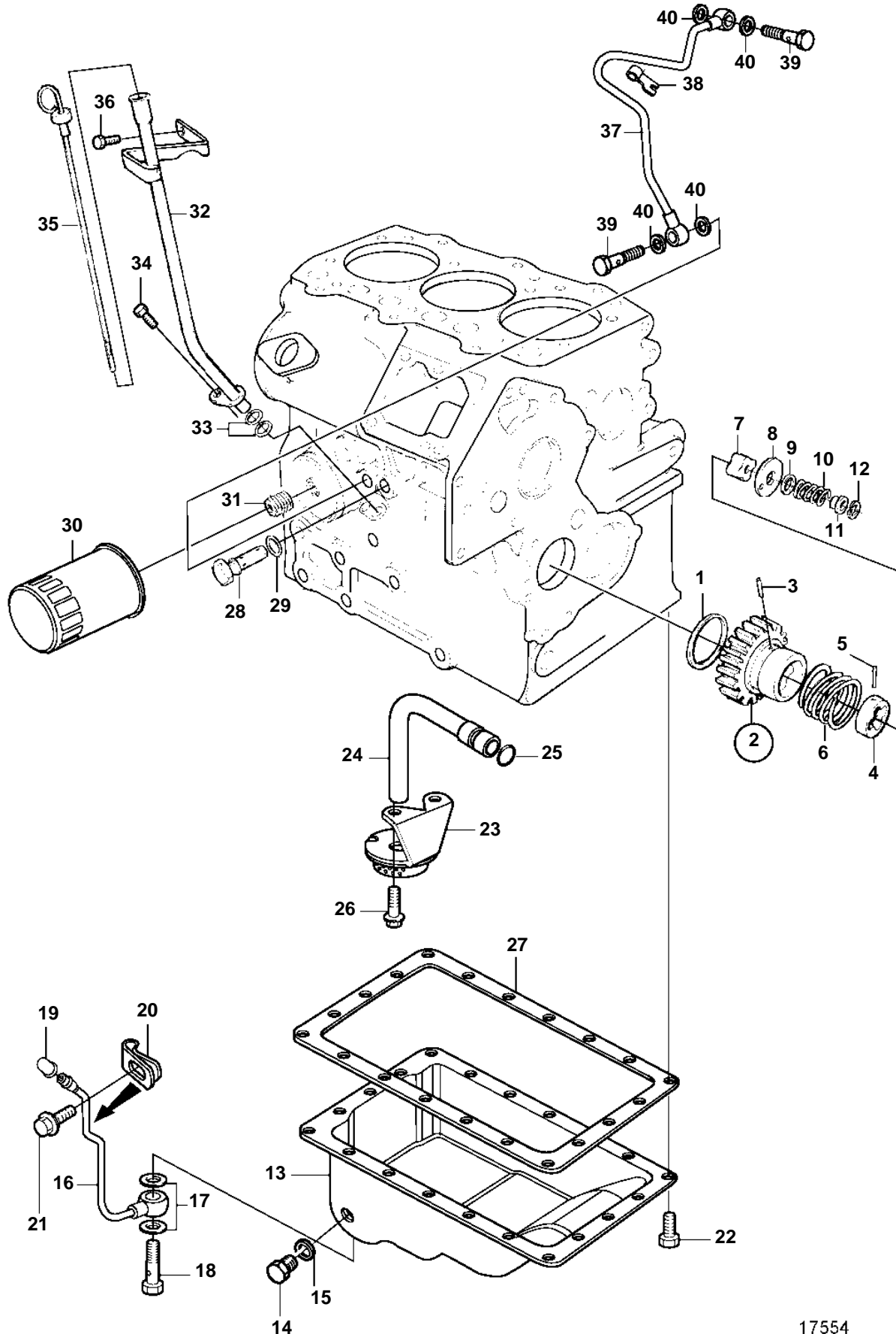


MD2030C, MD2030D



17554

## MD2030C, MD2030D

REF	PART NO.	QTY	DESCRIPTION	NOTES
1	861986	1	Thrust washer	
2	3580358	1	Gear	
3		1	· Pin	
4		1	· Rotorouter	
5		1	· Pin	
6	861988	1	· Spring	
7	861989	1	Rotor	
8	861527	1	Cover	
9	861528	X	Shim	TH = 0,10mm
	861529	X	Shim	TH = 0.15mm
	861530	X	Shim	TH=0,20mm
	861531	X	Shim	TH = 0,50mm
10	861532	1	Spring	
11	861533	1	Sleeve	
12	861534	1	Lock ring	
13	3581743	1	Oil pan	
14	861834	1	Plug	
15	11994	1	Gasket	(861835)
16	3581779	1	Oil draining pipe	
17	11994	2	Gasket	(861835)
18	3581928	1	Hollow screw	
19	1276516	1	Plug	
20	3582218	1	Clamp	
21	980108	1	Flange screw	
22	945358	20	Flange screw	
23	3580362	1	Strainer	
24	3580361	1	Tube	
25	861997	1	O-ring	
26	861526	2	Screw	
27	3580288	1	Gasket	
28	861829	1	Reducing valve	
29	861830	1	O-ring	
30	3581621	1	Oil filter	
31	861825	1	Nipple	
32	3580297	1	Tube	
33	861851	2	O-ring	
34	967949	1	Screw	
35	3581557	1	Oil dipstick	
36	947107	1	Flange screw	
37	3580312	1	Oil pipe	
38		1	· Clamp	
39	861872	2	Hollow screw	
40	11992	4	Gasket	