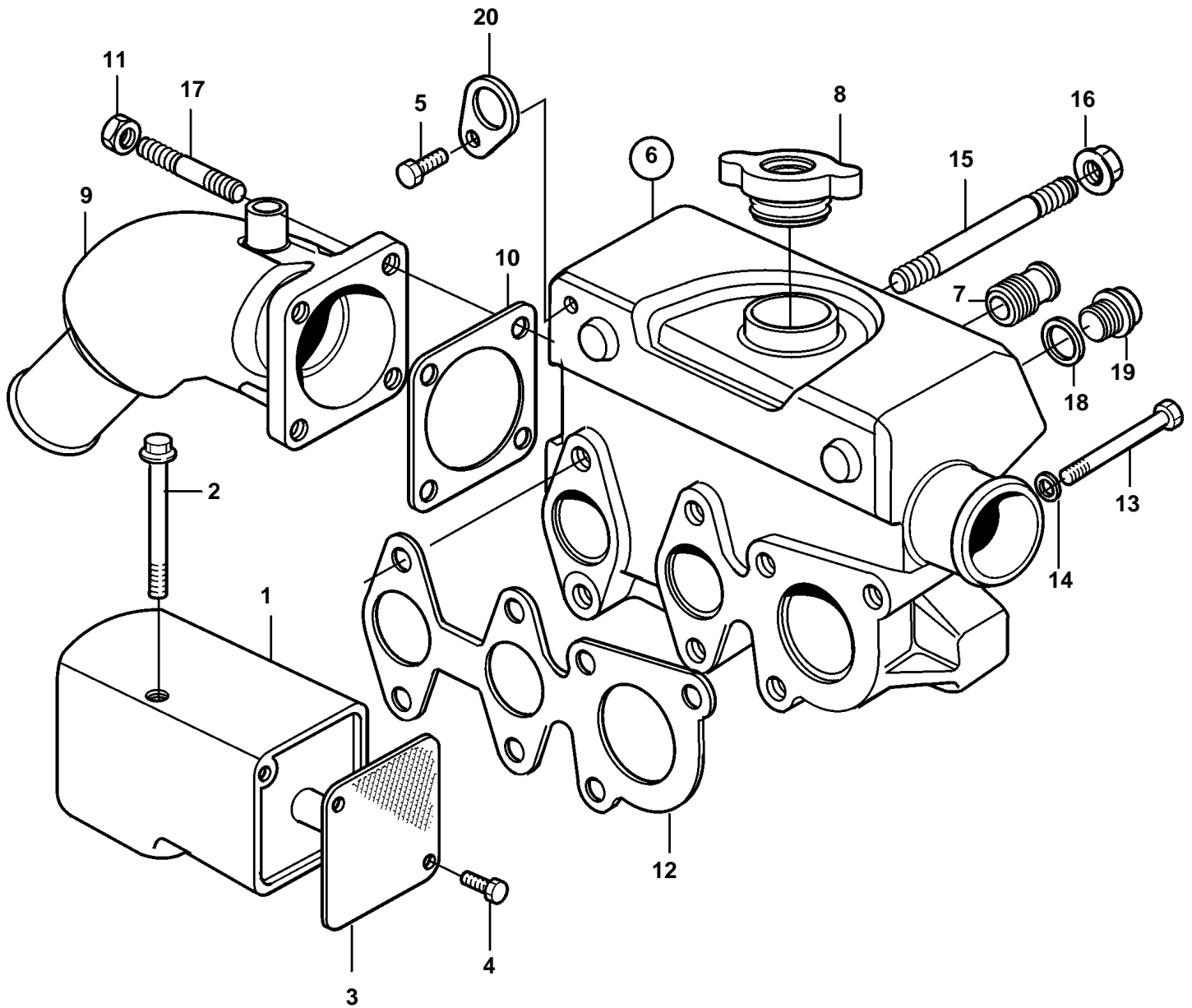


MD2010C, MD2010D



17630

MD2010C, MD2010D

REF	PART NO.	QTY	DESCRIPTION	SEE SEC.	NOTES
1	861898	1	Air inlet		
2	861899	2	Flange screw		
3	861900	1	Retainer		
4	861902	2	Screw		
5	861870	1	Screw		
6	3581924	1	Heat exchanger housi		
7	861904	1	• Tube		
8	3581770	1	Filler cap		
		1	Cover	573	ALT. When separate expansion tank is being used.
9	861906	1	Exhaust riser		
10	861907	1	Gasket		
11	948645	4	Lock nut		
12	861909	1	Gasket		
13	955285	4	Screw		
14	861913	4	Spring washer		
15	861914	2	Stud		
16	945407	2	Flange nut		(861915)
17	953045	4	Stud		
18	861917	1	Gasket		
19	861918	1	Plug		
20		1	Lifting eye		