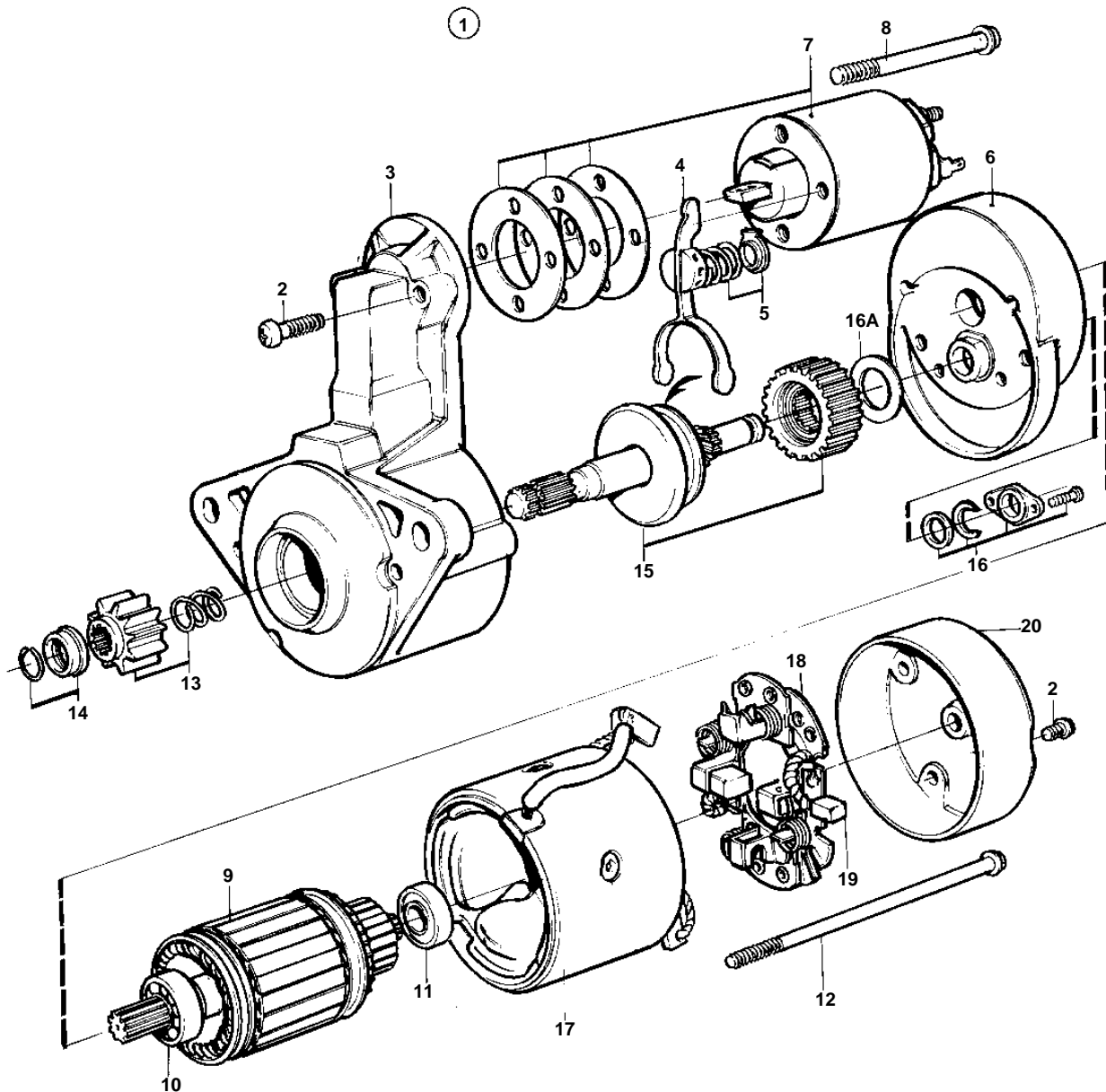


MD2040C, MD2040D



11675

MD2040C, MD2040D

REF	PART NO.	QTY	DESCRIPTION
1	3580472	1	Starter motor
2		1	· Screw kit
3		1	· Bearing housing
4		1	· Engagement lever
5		1	· Spring kit
6		1	· Gear housing
7		1	· Starter relay
8		1	· Screw
9		1	· Rotor
10		1	· Bearing
11		1	· Bearing
12		2	· Screw
13	3580650	1	· Start gear
14		1	· Pinion stop
15	3580652	1	· Gear set
16		1	· Washer kit
16A		1	· · Washer
17		1	· Field winding
18		1	· Brush retainer plate
19		4	· · Spring
20		1	· Commutator bearing