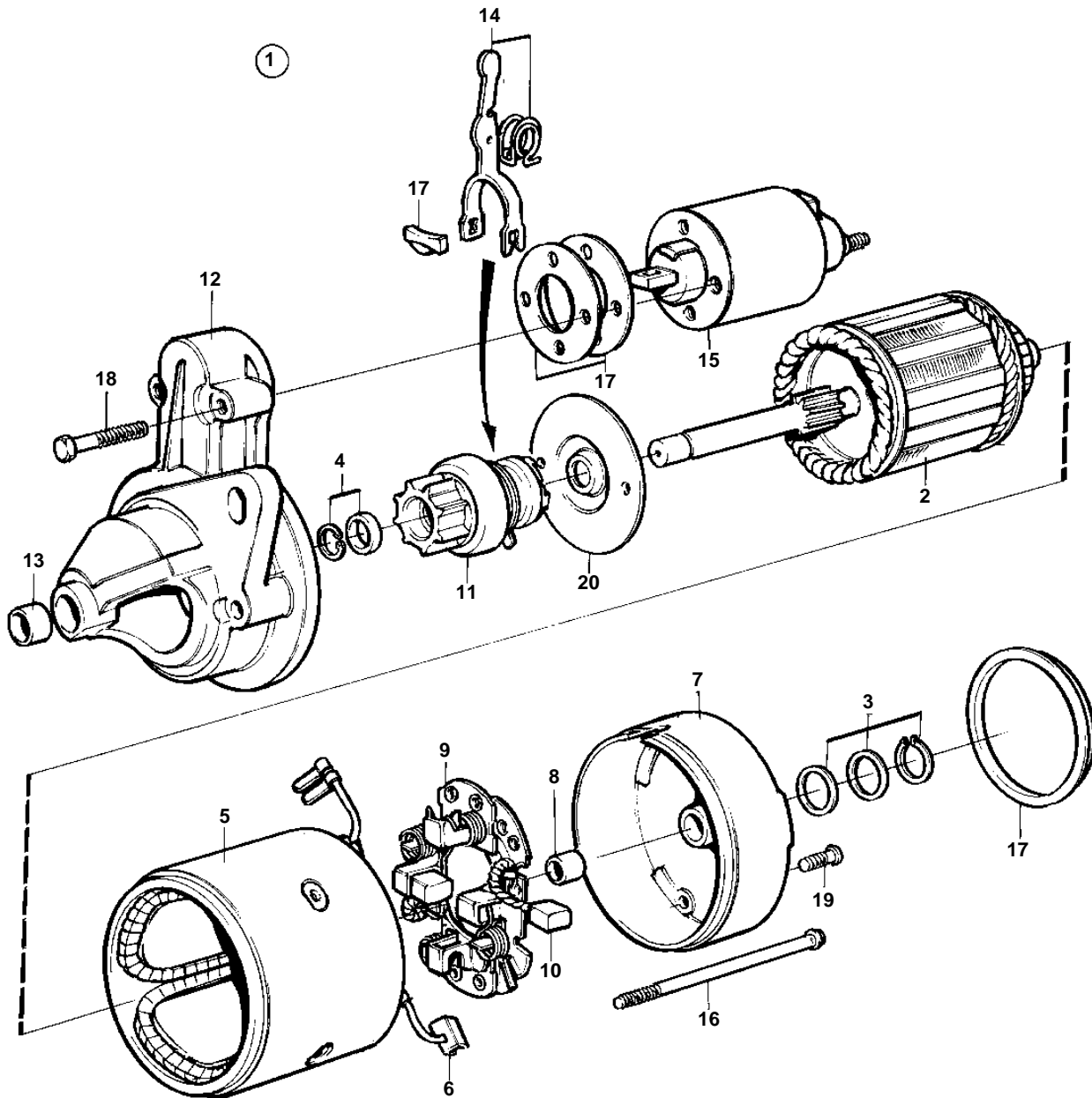


MD2030C, MD2030D



11676

**MD2030C, MD2030D**

REF	PART NO.	QTY	DESCRIPTION	NOTES
1	3582514	1	Starter motor	
	3803584	1	Starter motor, exch	Exchange unit
			Comps. not spec.	
	3580295	1	Starter motor	REPLACED BY 3582514
2		1	· Rotor	
3	3580432	1	· Set	
4	3580433	1	· Pinion stop	
5		1	· Field winding	
6	3580436	2	· · Carbon brush	
7		1	· Commutator bearing	
8	3580438	1	· · Bushing	
9	3580439	1	· Brush retainer plate	
10	3580440	2	· · Carbon brush	
11	3580442	1	· Start gear	
12		1	· Bearing housing	
13	3580444	1	· · Bushing	
14	3580445	1	· Engagement lever	
15	3580446	1	· Actuator solenoid	
16		2	· Screw	
17	3580448	1	· Set	
18	3580449	2	· Screw	
19	3580450	2	· Screw	
20		1	· Plate	