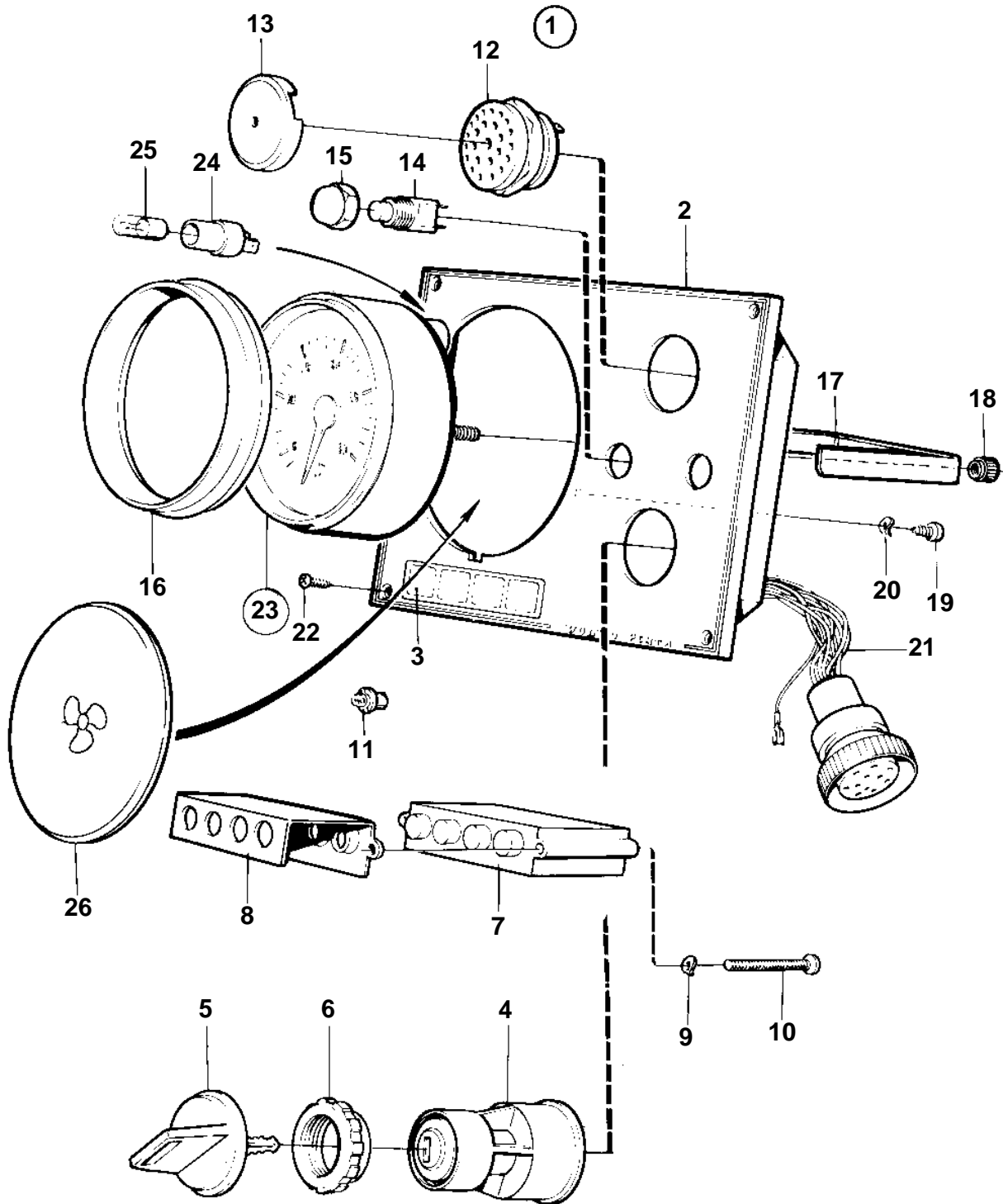


MD2010C, MD2010D, MD2020C, MD2020D, MD2030C, MD2030D, MD2040C, MD2040D



16147

MD2010C, MD2010D, MD2020C, MD2020D, MD2030C, MD2030D, MD2040C, MD2040D

REF	PART NO.	QTY	DESCRIPTION	SEE SEC.	NOTES
1	3587077	1	Instrument panel		(873593)
2	860183	1	• Instrument panel		
3	858645	1	• Symbol strip		
4	3587072	1	• Starter switch		(864277)
5	859953	2	• • Key		
			• • Bulletin 49-30	49-30-EN	Key P/N 859953
6	859955	1	• • Plastic nut, incl. starter element		State key code when ordering.
7	873737	1	• Electronic unit		
8	828784	1	• Reflector		
9	941904	2	• Spring washer		
10	941615	2	• Screw		
11	19923	4	• Bulb		12V
12	828587	1	• Buzzer		
13	858795	1	• Protecting casing		
14	828584	1	• Switch		ALARM TEST
	828585	1	• Switch		INSTR. LIGHT
15	828586	2	• Nut		
16	873517	1	• Front ring		
17	873208	1	• Retainer		
18		2	• • Nut		
19	949947	1	• Screw		
20	941904	1	• Spring washer		
21	828648	1	• Cable kit		
22	828647	4	• Screw		
23	873992	1	Rev counter kit		4600 RPM
24	863945	1	• Bulb socket		
25	863946	1	• Bulb		12V
26	858648	1	• Plastic plug		ALT