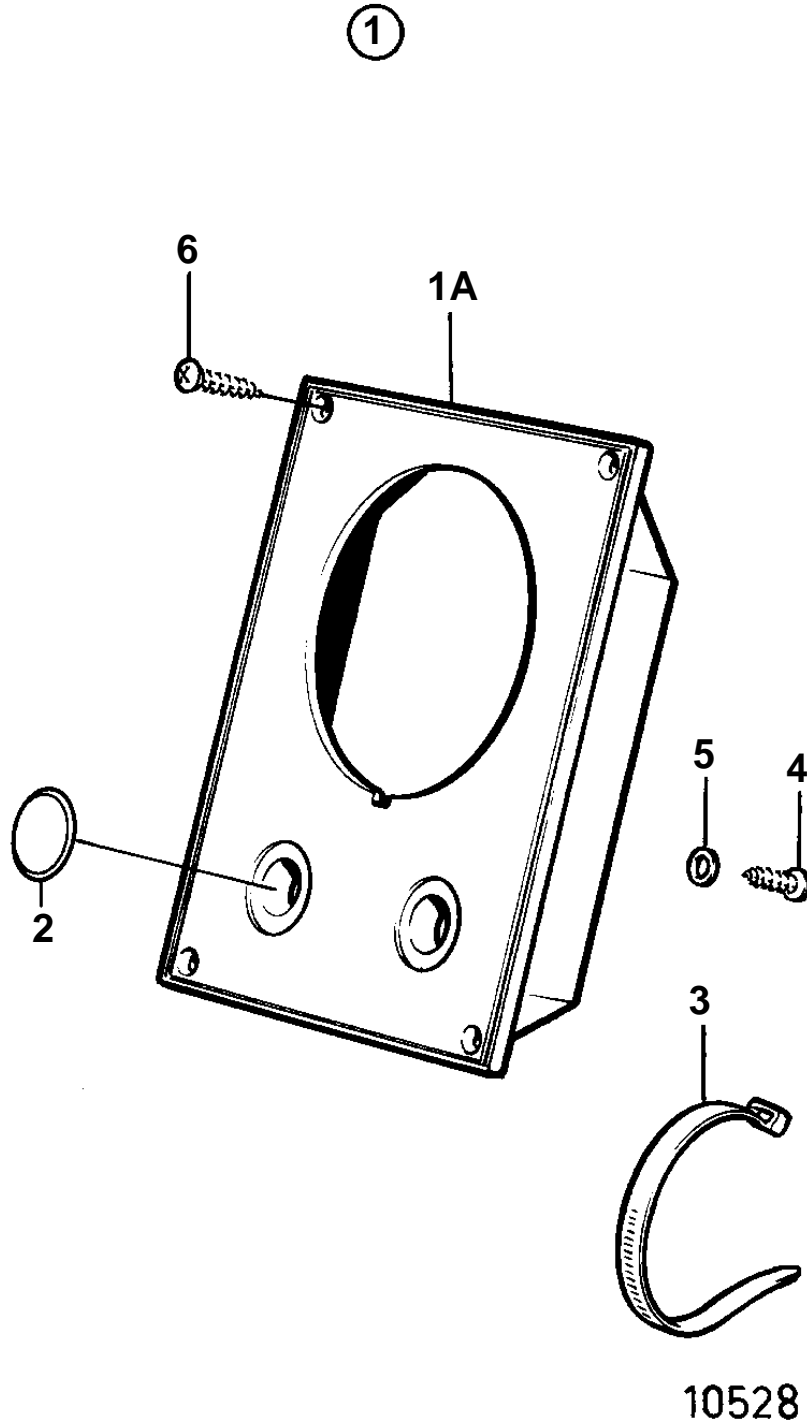


MD2010C, MD2010D, MD2020C, MD2020D, MD2030C, MD2030D, MD2040C, MD2040D



MD2010C, MD2010D, MD2020C, MD2020D, MD2030C, MD2030D, MD2040C, MD2040D

REF	PART NO.	QTY	DESCRIPTION	NOTES
1		1	Instrument panel	For instruments with D=52mm. REPLACED BY 858873
1A		1	· Instrument panel	
2	828607	2	· Cover plate	
3	949666	1	· Strip clamp	
4	949947	1	· Screw	
5	941904	1	· Spring washer	
6	828647	4	· Screw	