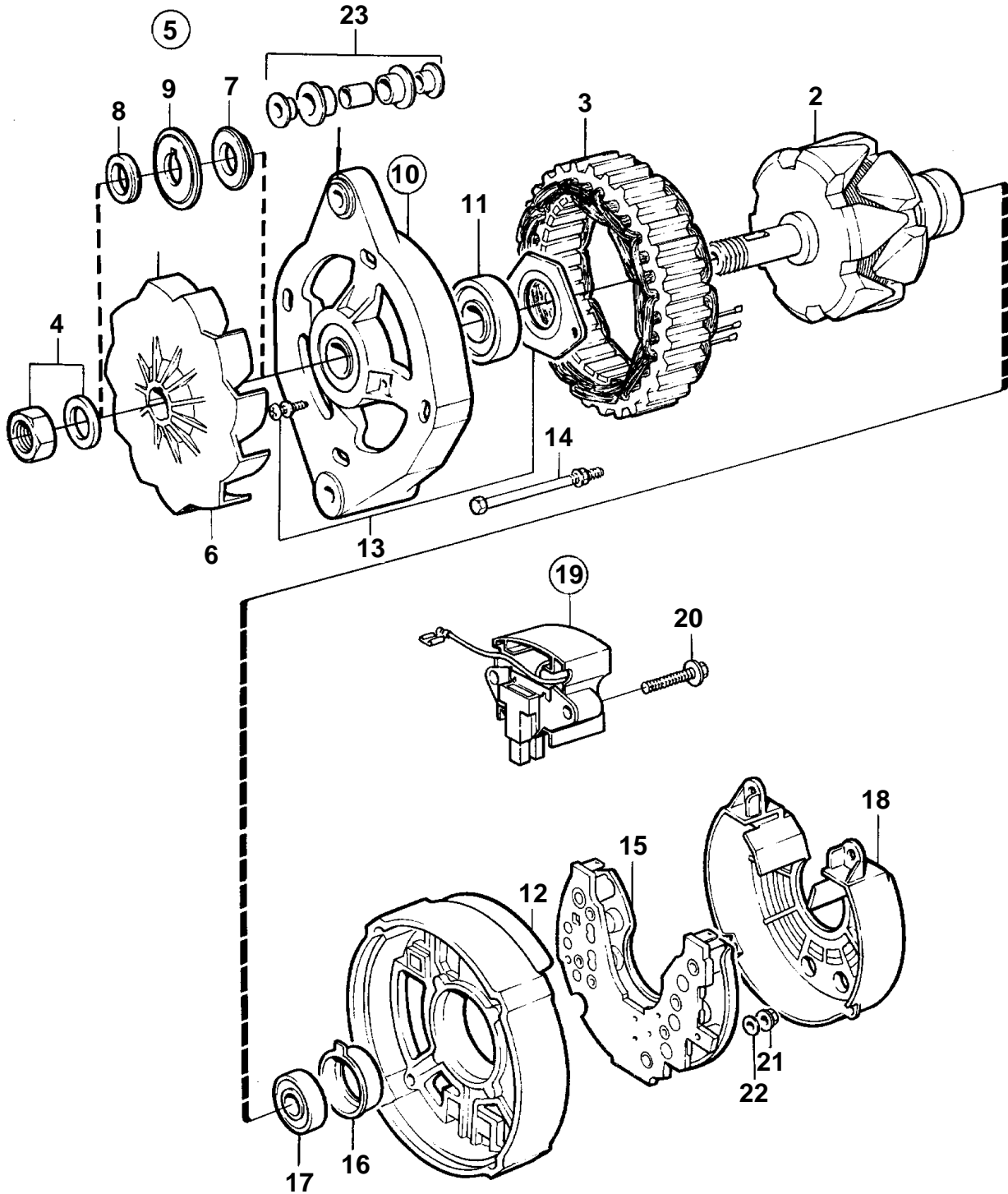


MD2010C, MD2010D, MD2020C, MD2020D, MD2030C, MD2030D, MD2040C, MD2040D

1



15314

MD2010C, MD2010D, MD2020C, MD2020D, MD2030C, MD2030D, MD2040C, MD2040D

REF	PART NO.	QTY	DESCRIPTION	NOTES
1	872235	1	Alternator	14V 60A
	3803260	1	Alternator,exch	Exchange unit
2		1	· Rotor	
3		1	· Stator	
4	6212688	1	· Mounting kit	
5	860281	1	· Fan kit	
6		1	· · Fan	
7	862897	1	· · Spacer washer	
8	860284	1	· · Spacer washer	
9	860283	1	· · Washer	
10		1	· End plate	
11	860432	1	· · Ball bearing	
12		1	· End plate	
13		1	· Mounting kit	
14		1	· Screw kit	
15	1698689	1	· Diode bridge	(873238)
16	873241	1	· Bearing carrier	
17	873239	1	· Ball bearing	
18		1	· Protecting casing	
19	872720	1	· Regulator	
20		2	· · Screw	
21	955779	1	· Nut	(M4)W
	965483	2	· Nut	(M5)D+,B-
	945407	1	· Flange nut	(M6)B-
22	980689	1	· Washer	(FOR M4)W
23	840634	1	· Damper kit	