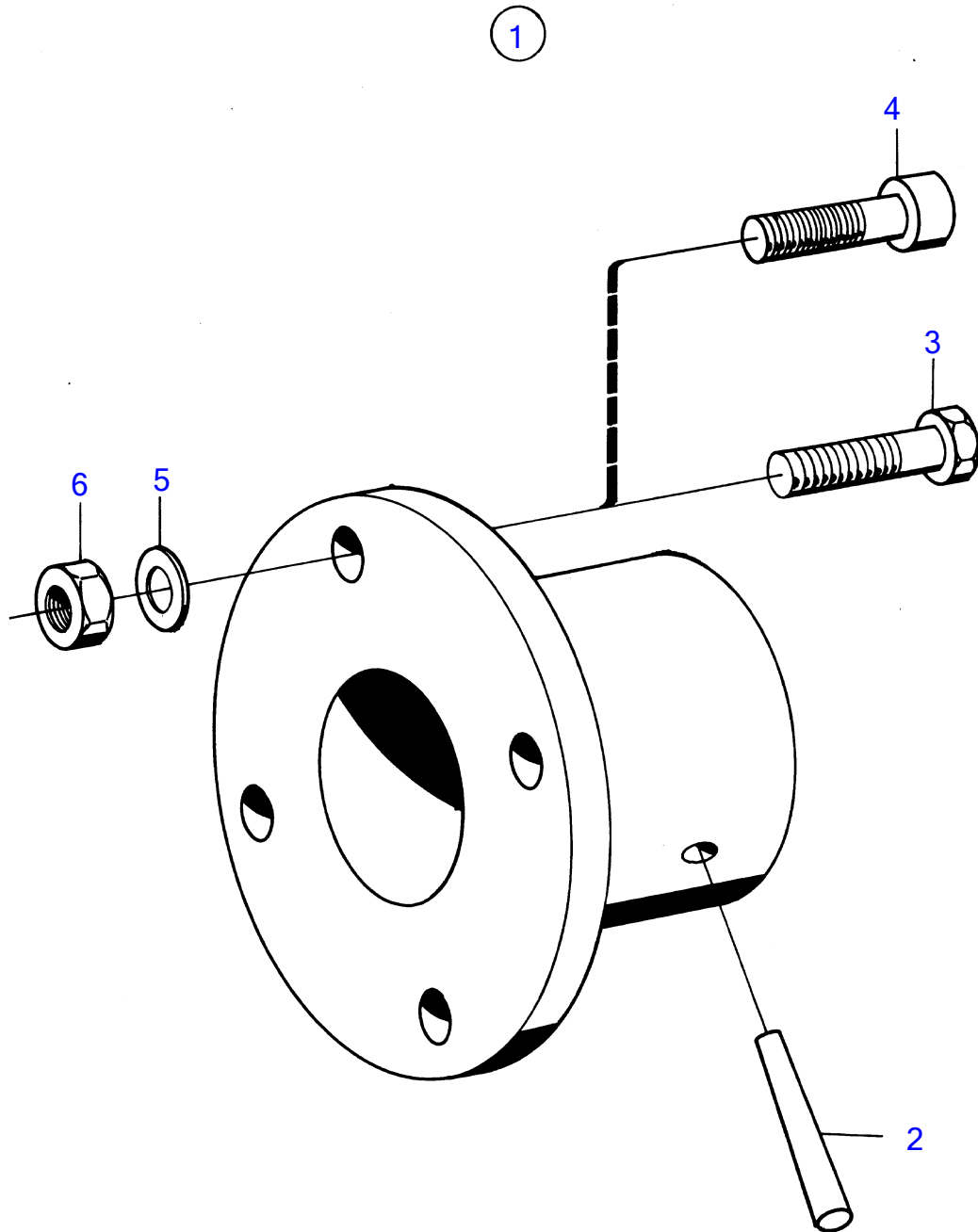


MD2010B, MD2020B, MD2030B, MD2040B



3232

MD2010B, MD2020B, MD2030B, MD2040B

REF	PART NO.	QTY	DESCRIPTION	NOTES
1	806383	1	Clutch flange	Only center drilled 15mm. Max 30mm shaft.
2	907599	1	• Taper pin	
3	970949	4	• Hexagon screw	L=35mm (955319)
4	959239	4	• Hex. socket screw	L=30mm
5	941908	4	• Spring washer	
6	971071	4	• Hexagon nut	(955783)