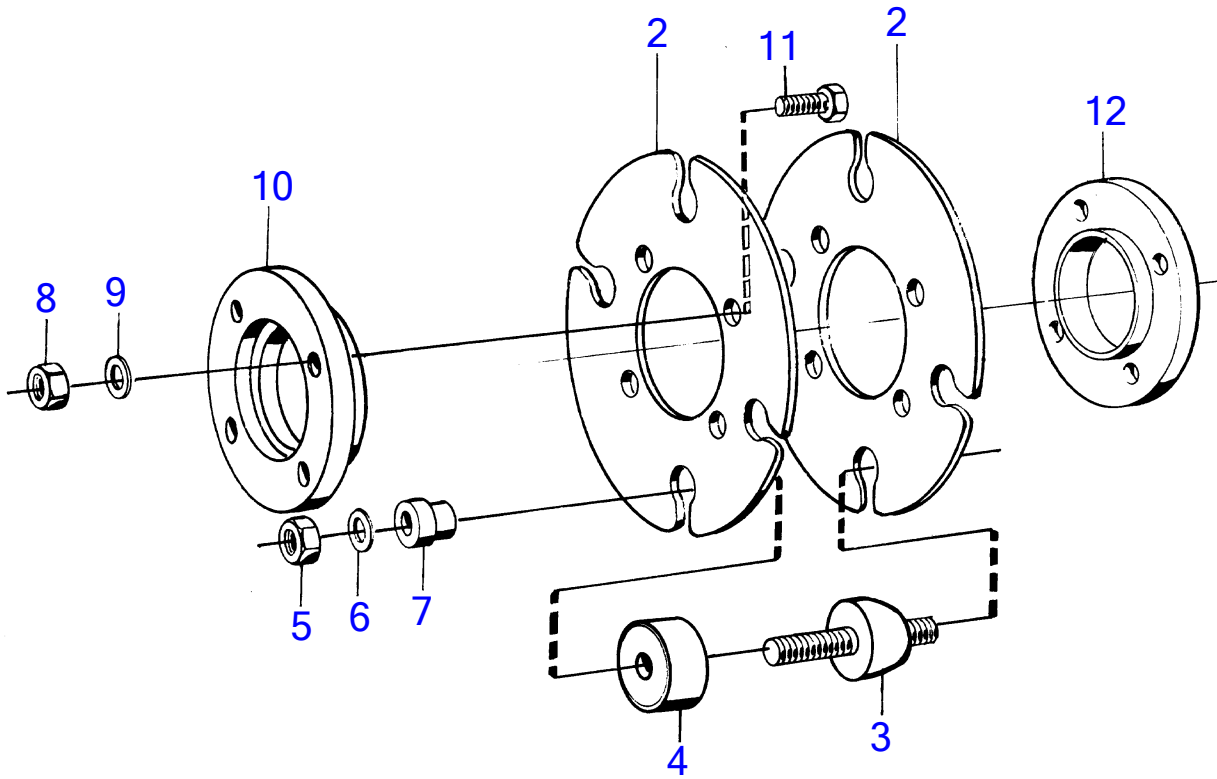


MD2010B, MD2020B, MD2030B, MD2040B

1



3946

MD2010B, MD2020B, MD2030B, MD2040B

REF	PART NO.	QTY	DESCRIPTION	NOTES
1	833627	1	Clutch	
2	819151	2	• Flexplate	
3	803762	6	• Rubber cushion	
4	803748	6	• Protecting casing	
5	955850	12	• Hexagon nut	
6	940280	12	• Spring washer	
7	802976	12	• Washer	
8	971071	4	• Hexagon nut	(955783)
9	941908	4	• Spring washer	
10	827935	1	• Guide ring	
11	970947	4	• Hexagon screw	L=25mm
	970949	4	• Hexagon screw	L=35mm (955319)
12	803029	1	• Guide ring	