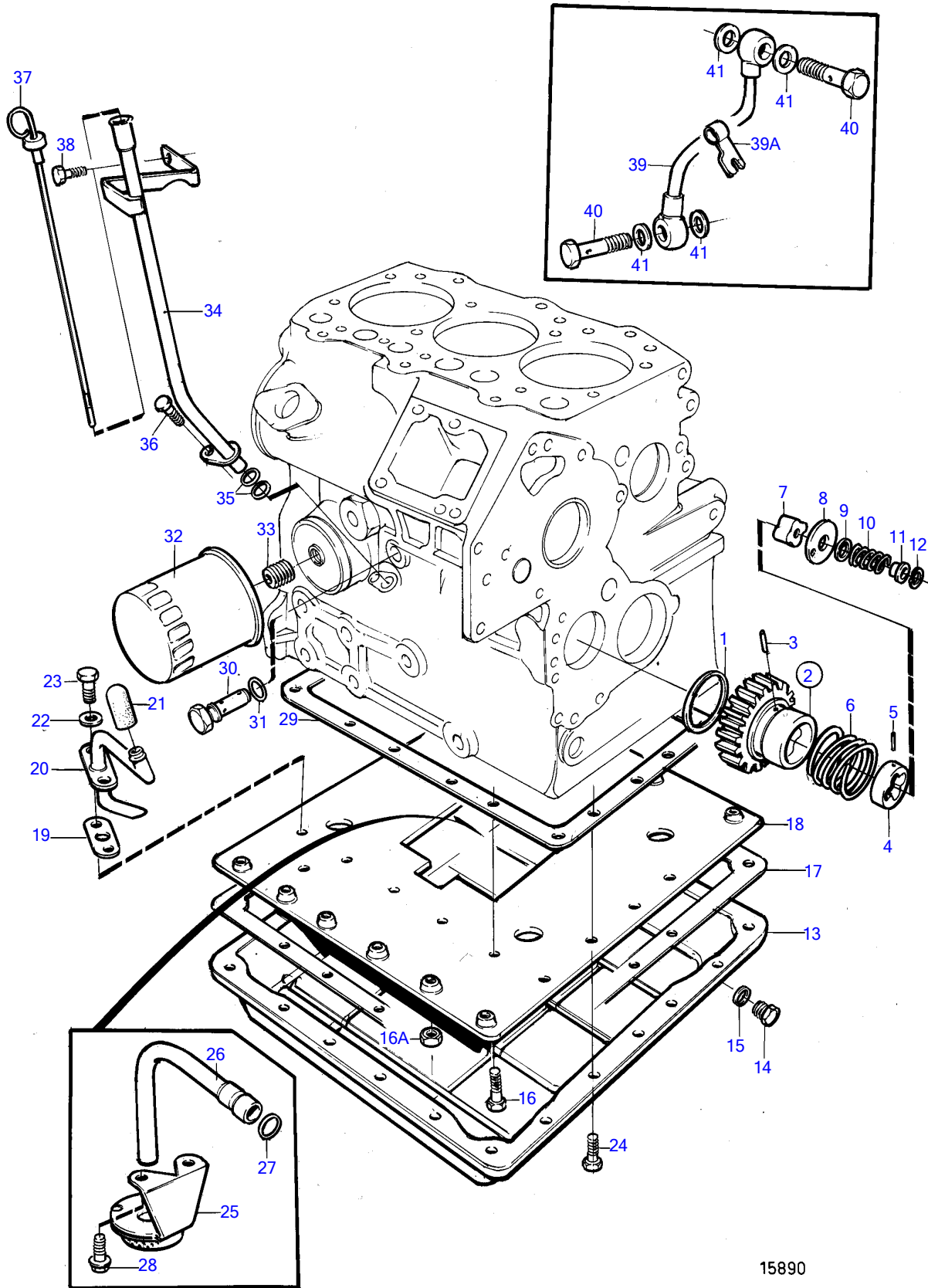


MD2040B



15890

## MD2040B

| REF | PART NO. | QTY | DESCRIPTION     | NOTES                |
|-----|----------|-----|-----------------|----------------------|
| 1   | 861986   | 1   | Thrust washer   |                      |
| 2   | 3580569  | 1   | Gear            | Replaced by 21541021 |
|     | 21541021 | 1   | Oil pump        |                      |
| 3   |          | 1   | • Pin           |                      |
| 4   |          | 1   | • Rotor, outer  |                      |
| 5   |          | 1   | • Pin           |                      |
| 6   | 861988   | 1   | • Spring        |                      |
| 7   | 3580570  | 1   | Rotor           | Replaced by 21541021 |
|     | 21541021 | 1   | Oil pump        |                      |
| 8   | 861527   | 1   | Cardboard tube  |                      |
| 9   | 861528   | X   | Shim            | TH=0.10mm            |
|     | 861529   | X   | Shim            | TH=0.15mm            |
|     | 861530   | X   | Shim            | TH=0,20mm            |
|     | 861531   | X   | Shim            | TH=0,50mm            |
| 10  | 861532   | 1   | Spring          |                      |
| 11  | 861533   | 1   | Sleeve          |                      |
| 12  | 861534   | 1   | Lock ring       |                      |
| 13  | 3580467  | 1   | Sump            |                      |
| 14  | 861834   | 1   | Screw           |                      |
| 15  | 11994    | 1   | Gasket          |                      |
| 16  | 967949   | 8   | Flange screw    |                      |
| 16A | 945407   | 4   | Flange nut      |                      |
| 17  | 3580468  | 1   | Gasket          |                      |
| 18  | 3580469  | 1   | Plate           |                      |
| 19  | 861838   | 1   | Gasket          |                      |
| 20  | 3580470  | 1   | Tube            |                      |
| 21  | 1276516  | 1   | Rubber cap      |                      |
| 22  | 11991    | 2   | Gasket          |                      |
| 23  | 945414   | 2   | Flange screw    |                      |
| 24  | 945414   | 30  | Flange screw    |                      |
| 25  | 861999   | 1   | Oil filter      |                      |
| 26  | 3580573  | 1   | Suction pipe    |                      |
| 27  | 861997   | 1   | O-ring          |                      |
| 28  | 861526   | 2   | Screw           |                      |
| 29  | 3580462  | 1   | Gasket          |                      |
| 30  | 861829   | 1   | Reduction valve | Replaced by 3583580  |
|     | 3583580  | 1   | Reduction valve |                      |
| 31  | 861830   | 1   | O-ring          |                      |
| 32  | 3840525  | 1   | Oil filter      |                      |
| 33  | 861825   | 1   | Bolt            |                      |
| 34  | 3580474  | 1   | Tube            |                      |
| 35  | 861851   | 2   | O-ring          |                      |
| 36  | 967949   | 1   | Flange screw    |                      |
| 37  | 3581557  | 1   | Dipstick        | (3580298)            |
| 38  | 947107   | 1   | Flange screw    |                      |
| 39  | 3580494  | 1   | Oil pipe        |                      |
| 39A |          | 1   | • Clamp         |                      |
| 40  | 861872   | 2   | Hollow screw    |                      |
| 41  | 11992    | 4   | Gasket          |                      |