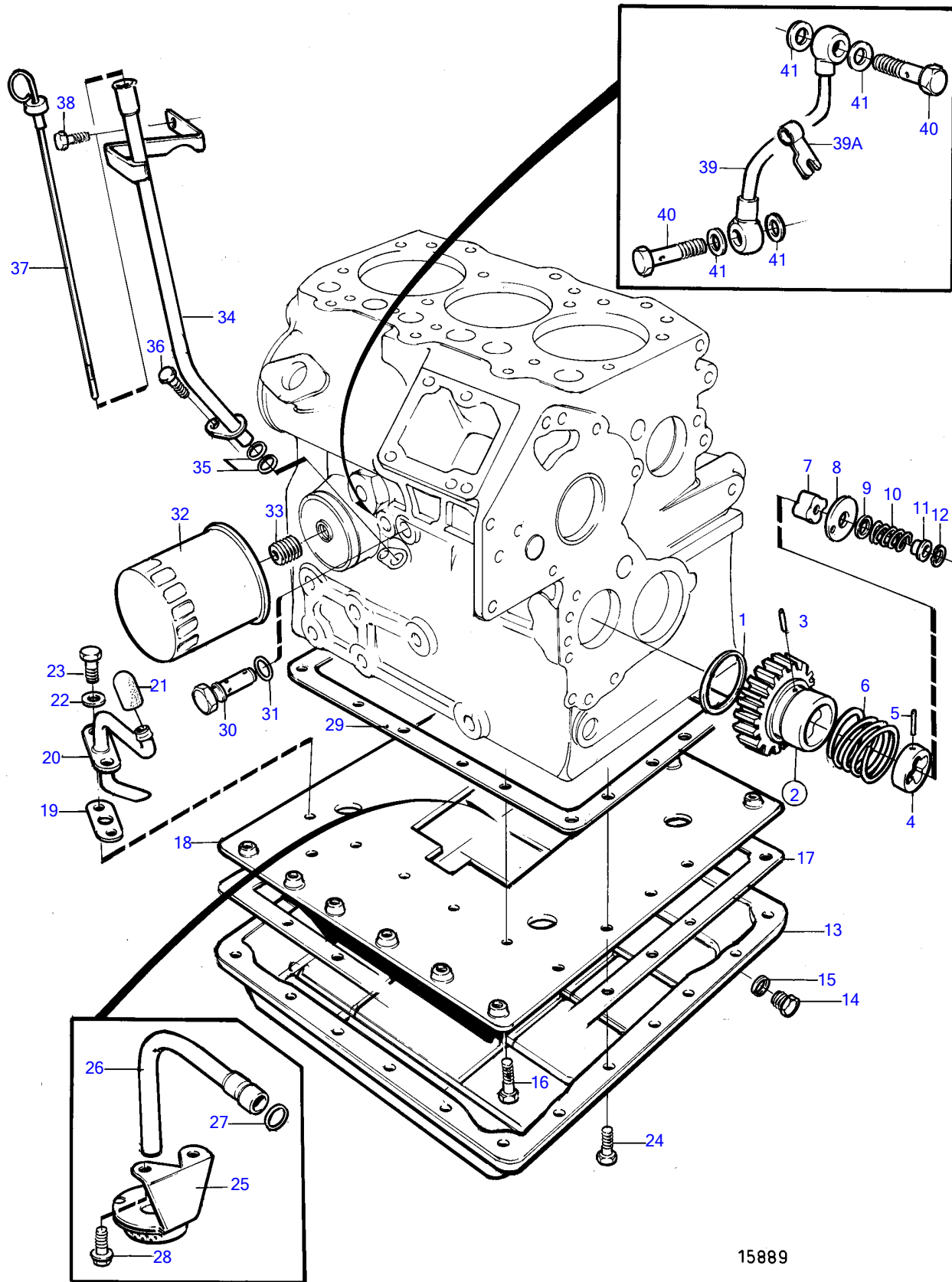


MD2030B



15889

MD2030B

REF	PART NO.	QTY	DESCRIPTION	NOTES
1	861986	1	Thrust washer	
2	3580358	1	Gear	
3		1	• Pin	
4		1	• Rotor, outer	
5		1	• Pin	
6	861988	1	• Spring	
7	(861989)	1	Rotor	Replaced by 21541015, Obsolete part
	21541015	1	Oil pump	
8	861527	1	Cardboard tube	
9	861528	X	Shim	TH=0.10mm
	861529	X	Shim	TH=0.15mm
	861530	X	Shim	TH=0,20mm
	861531	X	Shim	TH=0,50mm
10	861532	1	Spring	
11	861533	1	Sleeve	
12	861534	1	Lock ring	
13	3580291	1	Sump	
14	861834	1	Screw	
15	11994	1	Gasket	
16	967949	10	Flange screw	(861833)
17	3580292	1	Gasket	
18	3580293	1	Plate	
19	861838	1	Gasket	
20	3580232	1	Tube	
21	1276516	1	Rubber cap	
22	11991	2	Gasket	
23	945414	2	Flange screw	(861842)
24	945414	24	Flange screw	(861842)
25	3580362	1	Strainer	
26	3580361	1	Suction pipe	
27	861997	1	O-ring	
28	861526	2	Screw	
29	21849843	1	Gasket	
30	861829	1	Reduction valve	Replaced by 3583580
	3583580	1	Reduction valve	
31	861830	1	O-ring	
32	3840525	1	Oil filter	
33	861825	1	Bolt	
34	3580297	1	Tube	
35	861851	2	O-ring	
36	967949	1	Flange screw	(861852)
37	3581557	1	Dipstick	(3580298)
38	947107	1	Flange screw	
39	3580312	1	Oil pipe	
39A		1	Clamp	
40	861872	2	Hollow screw	
41	11992	4	Gasket	