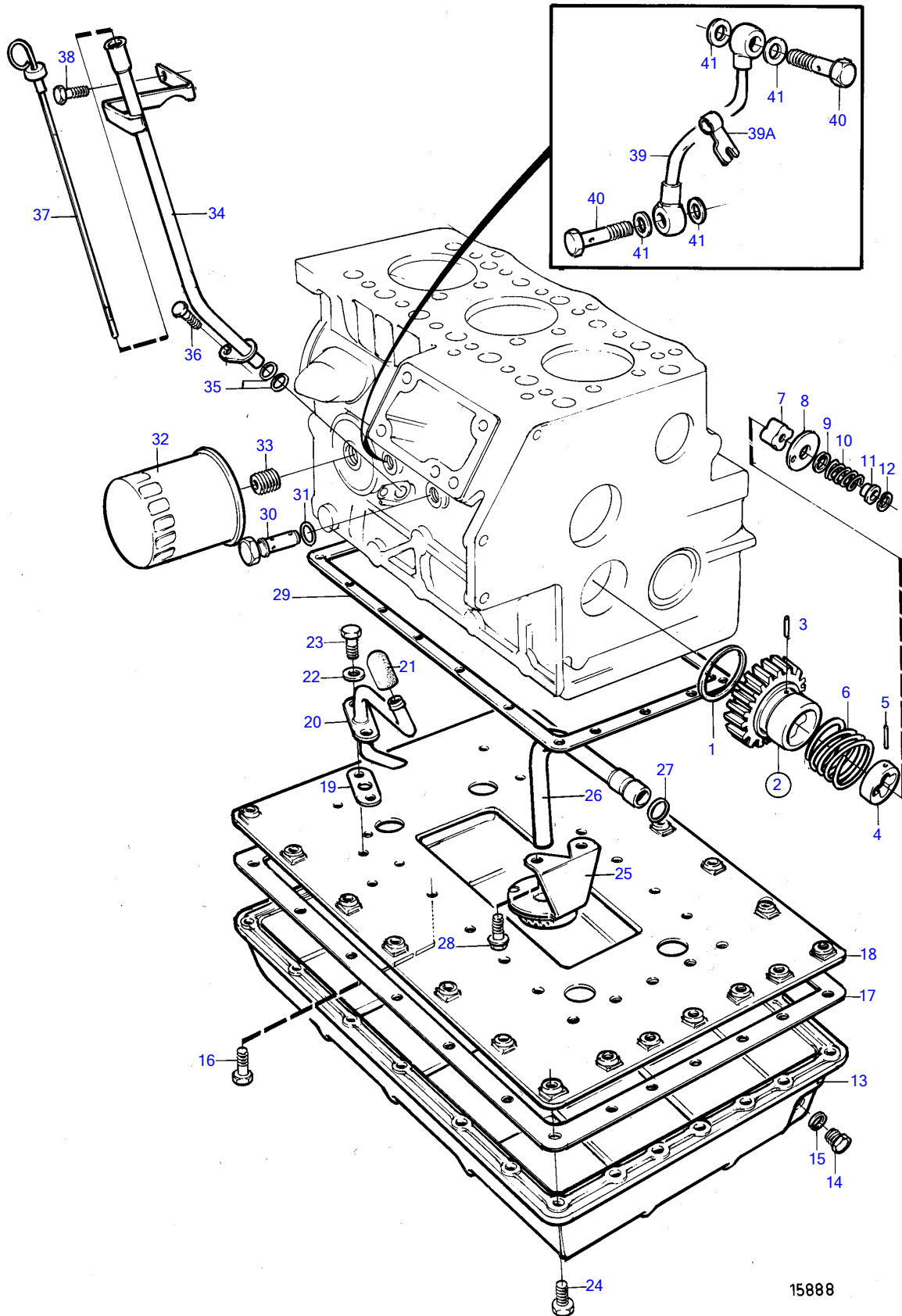


MD2020B



MD2020B

REF	PART NO.	QTY	DESCRIPTION	NOTES
1	861986	1	Thrust washer	
2	861987	1	Gear	Replaced by 21541017
	21541017	1	Oil pump	
3		1	• Pin	
4		1	• Rotor, outer	
5		1	• Pin	
6	861988	1	• Spring	
7	(861989)	1	Rotor	Obsolete part, Replaced by 21541017
	21541017	1	Oil pump	
8	861527	1	Cardboard tube	
9	861528	X	Shim	TH=0.10mm
	861529	X	Shim	TH=0.15mm
	861530	X	Shim	TH=0,20mm
	861531	X	Shim	TH=0,50mm
10	861532	1	Spring	
11	861533	1	Sleeve	
12	861534	1	Lock ring	
13	3580229	1	Sump	
14	861834	1	Screw	
15	11994	1	Gasket	
16	967949	13	Flange screw	
17	3580230	1	Gasket	
18		1	Plate	
19	861838	1	Gasket	
20	3580232	1	Tube	
21	1276516	1	Rubber cap	
22	11991	2	Gasket	
23	945414	2	Flange screw	
24	945414	24	Flange screw	
25	861999	1	Oil filter	
26	861998	1	Suction pipe	
27	861997	1	O-ring	
28	861526	2	Screw	
29	3580227	1	Gasket	
30	861829	1	Reduction valve	Replaced by 3583580
	3583580	1	Reduction valve	
31	861830	1	O-ring	
32	861473	1	Oil filter	
33	861825	1	Bolt	
34	861850	1	Tube	
35	861851	2	O-ring	
36	967949	1	Flange screw	
37	861853	1	Oil dipstick	
38	947107	1	Flange screw	
39	3580235	1	Oil pipe	
39A		1	• Clamp	
40	861872	2	Hollow screw	
41	11992	4	Gasket	