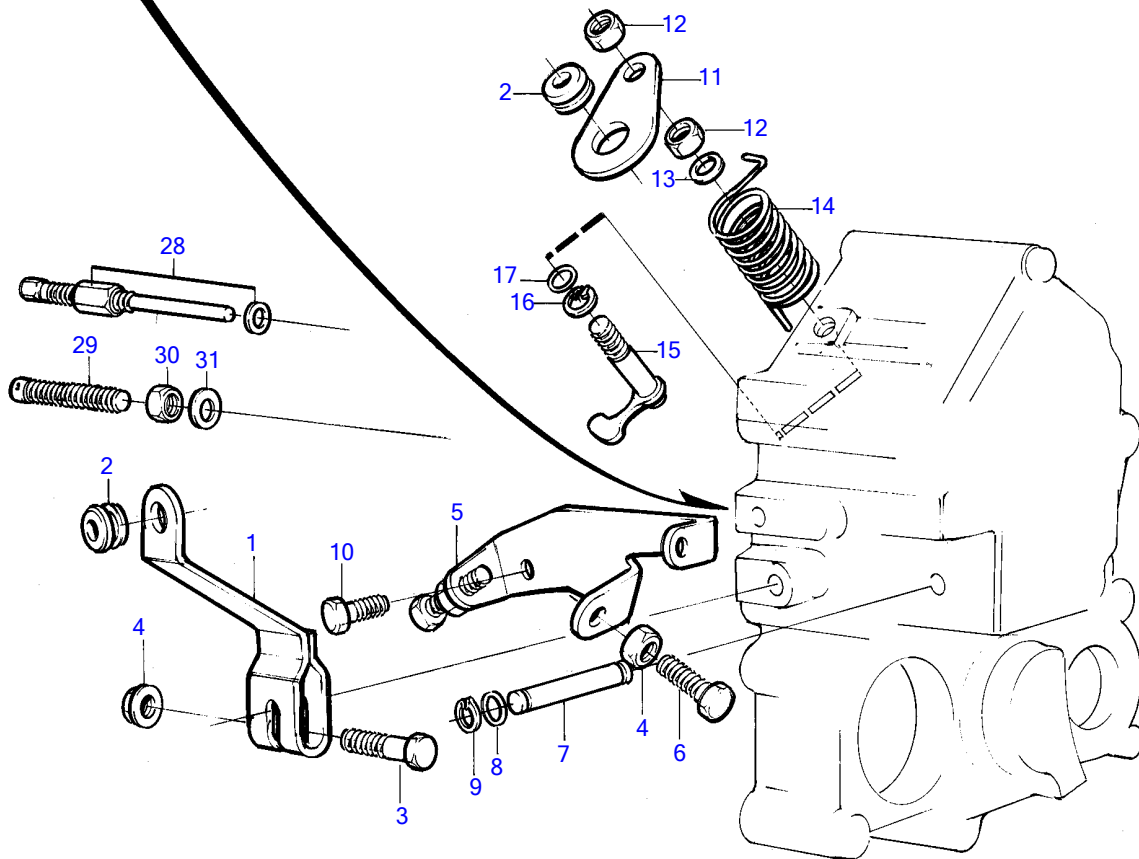
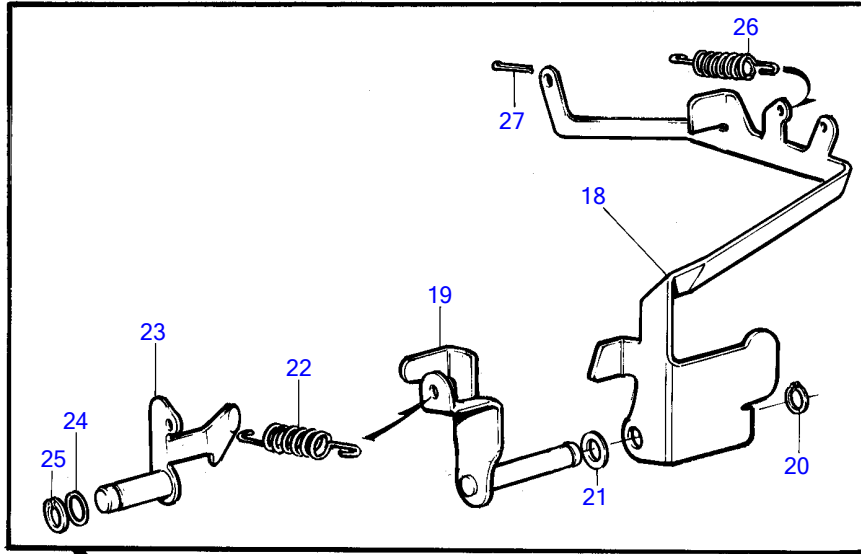


MD2040B



16185

MD2040B

REF	PART NO.	QTY	DESCRIPTION	NOTES
1	3580036	1	Intermediate lever, speed control	
2	843109	2	Bushing	
3	3580037	1	Screw	
4	945407	3	Flange nut	
5	3580042	1	Stay	
6	955274	2	Hexagon screw	
7	3583759	1	Shaft	
8	3580040	1	O-ring	
9	3580041	1	Lock ring	
10	945414	1	Flange screw	
11	3580051	1	Intermediate lever, stop	
12	955782	2	Hexagon nut	(3580050)
13	191172	1	Washer	
14	3580048	1	Spring	
15	3580045	1	Arm	
16	3580046	1	Lock ring	
17	3580047	1	O-ring	
18	3580587	1	Intermediate lever	
19		1	• Lever	
20	3580030	1	• Lock ring	
21	3580031	1	• Washer	
22	3580589	1	Spring	
23	3580034	1	Arm	
24	3580035	1	O-ring	
25	3580030	1	Lock ring	
26	3580735	1	Spring	
27	3580032	1	Locking pin	
28	3580086	1	Adjusting screw	
29	3580089	1	Screw	
30	3583664	1	Nut	
31	3580087	1	Sealing ring	