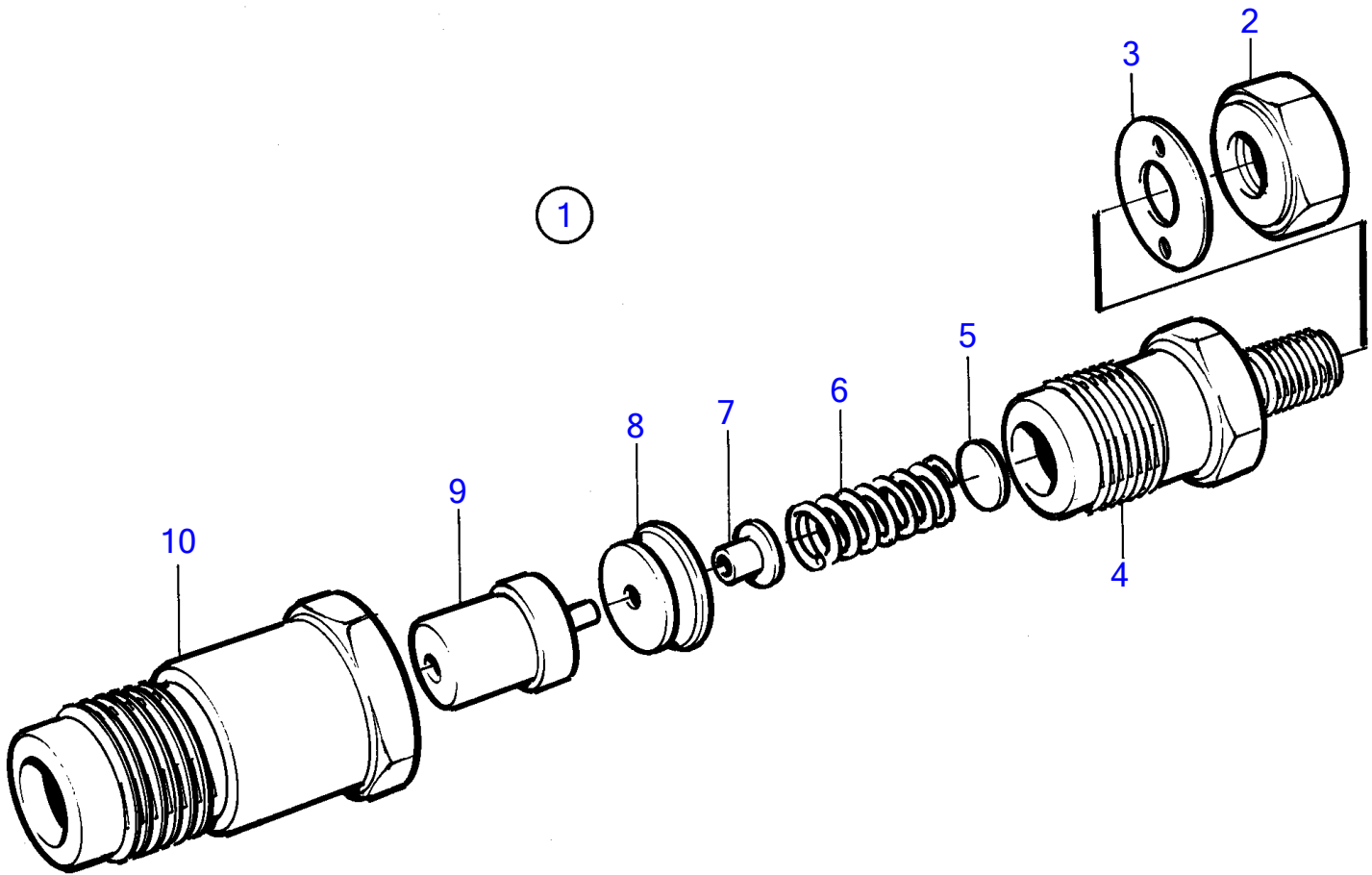


MD2010B, MD2020B



11659

MD2010B, MD2020B

| REF | PART NO.  | QTY | DESCRIPTION        | NOTES                     |
|-----|-----------|-----|--------------------|---------------------------|
| 1   | 3580078   | 1   | Injector           |                           |
|     | 3803440   | 1   | Injector, exch     |                           |
|     | 3803440   | 1   | Injector           |                           |
| 2   | 3580158   | 1   | • Nut              |                           |
| 3   | 3580631   | 1   | • Gasket           | (3580159)                 |
| 4   |           | 1   | • Retainer         |                           |
| 5   | 3580161   | X   | • Adjusting washer | TH=0,90mm                 |
|     | 3580162   | X   | • Adjusting washer | TH=0,925mm                |
|     | 3580163   | X   | • Adjusting washer | TH=0,95mm                 |
|     | 3580164   | X   | • Adjusting washer | TH=0,975mm                |
|     | 3580165   | X   | • Adjusting washer | TH=1,00mm                 |
|     | 3580166   | X   | • Adjusting washer | TH=1,025mm                |
|     | 3580167   | X   | • Adjusting washer | TH=1,05mm                 |
|     | 3580168   | X   | • Adjusting washer | TH=1,075mm                |
|     | 3580169   | X   | • Adjusting washer | TH=1,10mm                 |
|     | 3580170   | X   | • Adjusting washer | TH=1,125mm                |
|     | 3580171   | X   | • Adjusting washer | TH=1,15mm                 |
|     | 3580172   | X   | • Adjusting washer | TH=1,175mm                |
|     | 3580173   | X   | • Adjusting washer | TH=1,20mm                 |
|     | 3580174   | X   | • Adjusting washer | TH=1,225mm                |
|     | 3580175   | X   | • Adjusting washer | TH=1,25mm                 |
|     | 3580176   | X   | • Adjusting washer | TH=1,275mm                |
|     | 3580177   | X   | • Adjusting washer | TH=1,30mm                 |
|     | 3580178   | X   | • Adjusting washer | TH=1,325mm                |
|     | 3580179   | X   | • Adjusting washer | TH=1,35mm                 |
|     | (3580180) | X   | • Adjusting washer | TH=1,375mm, Obsolete part |
|     | (3580181) | X   | • Adjusting washer | TH=1,40mm, Obsolete part  |
|     | 3580182   | X   | • Adjusting washer | TH=1,425mm                |
|     | 3580183   | X   | • Adjusting washer | TH=1,45mm                 |
| 6   | 3580184   | 1   | • Spring           |                           |
| 7   | 3580185   | 1   | • Pressure bolt    |                           |
| 8   | 3580186   | 1   | • Spacer           |                           |
| 9   | 3580187   | 1   | • Nozzle           |                           |
| 10  |           | 1   | • Nut              |                           |